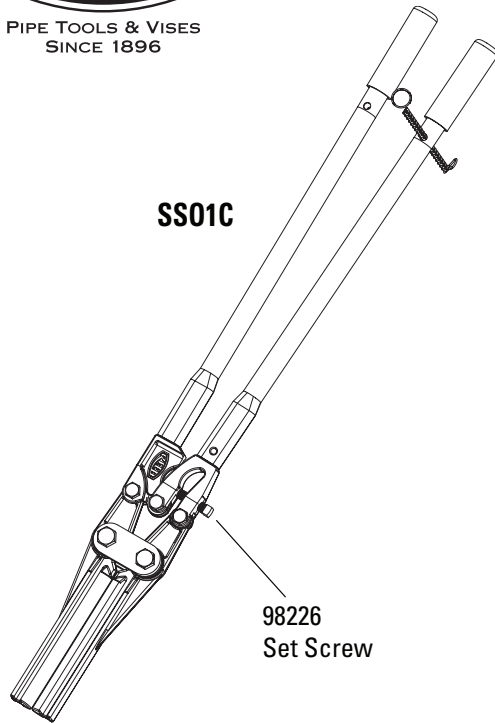




PIPE TOOLS & VISES
SINCE 1896

Standing Shut-Off Tool Operating Instructions

Applies to: 04281



Warnings:

1. Use this tool to stop or minimize the flow of water and other non-combustible fluids in 1" and 1/2" PE (polyethylene) pipe and tubing ONLY. Individuals who need to shut off natural gas lines should use a REED PE Squeeze Tool.
2. The SS01C tool may degrade the service life of the pipe at the shut off location. Individuals seeking to maintain pipe life should use a REED PE Squeeze Tool.
3. The 98226 set screw should be hand tight only. Tightening this screw past this point can lead to premature tool failure. Open gap by loosening 98226 screw. After use, if the screw no longer contacts the casting, retighten by hand only.

Use:

1. Position the tool over the pipe and bring the handles together.
2. Run the chain around the handles and clip one end to the ring.
3. Unclip the chain and open handles after work is complete.

(See reverse side for detailed parts breakdown.)

Reed Manufacturing
1425 West 8th Street
Erie, PA 16502 USA



Phone: 800-666-3691 or +1 814-452-3691
reedsales@reedmfgco.com
www.reedmfgco.com

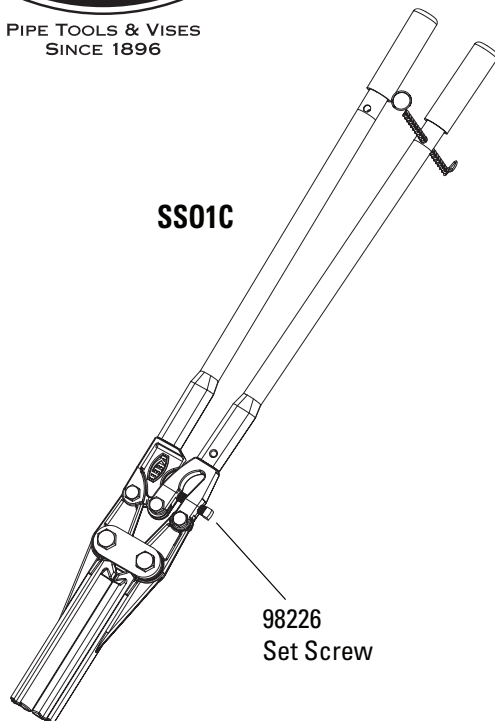
1024-54281



PIPE TOOLS & VISES
SINCE 1896

Standing Shut-Off Tool Operating Instructions

Applies to: 04281



Warnings:

1. Use this tool to stop or minimize the flow of water and other non-combustible fluids in 1" and 1/2" PE (polyethylene) pipe and tubing ONLY. Individuals who need to shut off natural gas lines should use a REED PE Squeeze Tool.
2. The SS01C tool may degrade the service life of the pipe at the shut off location. Individuals seeking to maintain pipe life should use a REED PE Squeeze Tool.
3. The 98226 set screw should be hand tight only. Tightening this screw past this point can lead to premature tool failure. Open gap by loosening 98226 screw. After use, if the screw no longer contacts the casting, retighten by hand only.

Use:

1. Position the tool over the pipe and bring the handles together.
2. Run the chain around the handles and clip one end to the ring.
3. Unclip the chain and open handles after work is complete.

(See reverse side for detailed parts breakdown.)

Reed Manufacturing
1425 West 8th Street
Erie, PA 16502 USA

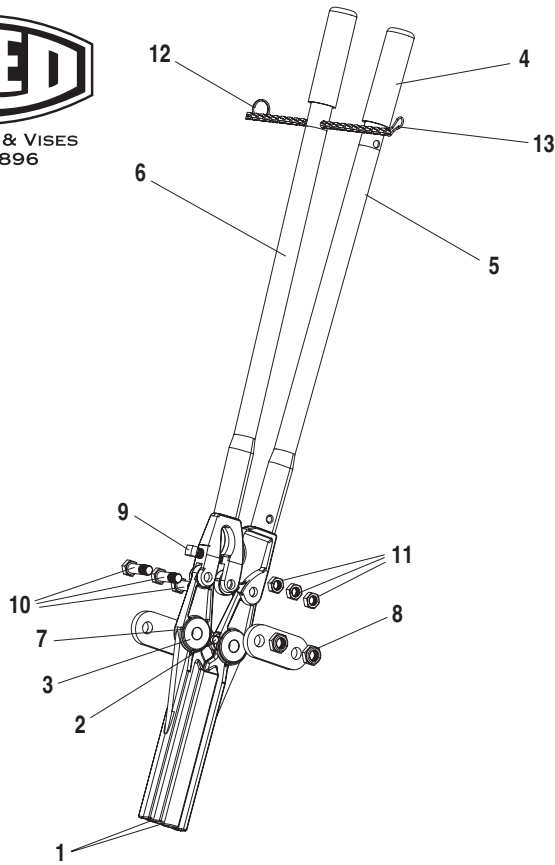


Phone: 800-666-3691 or +1 814-452-3691
reedsales@reedmfgco.com
www.reedmfgco.com

1024-54281



PIPE TOOLS & VISES
SINCE 1896



Standing Shut-Off Tool

Replacement Parts

Applies to: 04281

Parts List

Ref. No.	Description	Item Code	Qty.
1	Jaw	94331	2
2	Pivot Pin	34331	1
3	Hinge Plate	94333	2
4	Grip	94334	2
5	Fixed Handle Assembly	94336	1
6	Adjust. Handle Assembly	94337	1
7	Jaw Bolt	94332	2
8	Jaw Nut / Hex Locknut	30111	2
9	Adjustable Set Screw	98226	1
10	Handle Screw	98228	3
11	Handle Nut	98229	3
12	Chain Assembly	99055	1
13	Snap	40205	1

Reed Manufacturing
1425 West 8th Street
Erie, PA 16502 USA

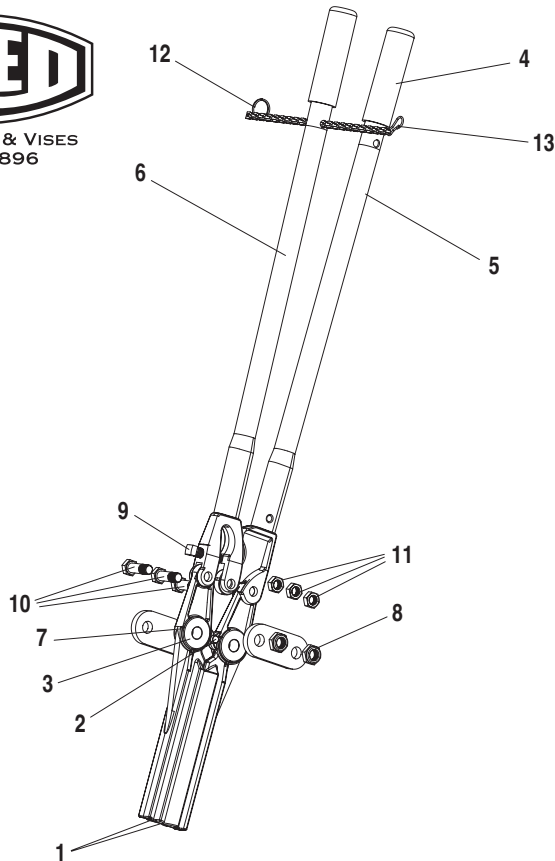


Phone: 800-666-3691 or +1 814-452-3691
reedsales@reedmfgco.com
www.reedmfgco.com

1024-54281



PIPE TOOLS & VISES
SINCE 1896



Standing Shut-Off Tool

Replacement Parts

Applies to: 04281

Parts List

Ref. No.	Description	Item Code	Qty.
1	Jaw	94331	2
2	Pivot Pin	34331	1
3	Hinge Plate	94333	2
4	Grip	94334	2
5	Fixed Handle Assembly	94336	1
6	Adjust. Handle Assembly	94337	1
7	Jaw Bolt	94332	2
8	Jaw Nut / Hex Locknut	30111	2
9	Adjustable Set Screw	98226	1
10	Handle Screw	98228	3
11	Handle Nut	98229	3
12	Chain Assembly	99055	1
13	Snap	40205	1

Reed Manufacturing
1425 West 8th Street
Erie, PA 16502 USA



Phone: 800-666-3691 or +1 814-452-3691
reedsales@reedmfgco.com
www.reedmfgco.com

1024-54281