

SECTION 6 ***VICES***

Tripod Pipe Vises
Pipe Jacks
Chain Vises
Field Pipe Vise
Yoke Pipe Vises
Utility Workshop Vises
Mid-Line Vises
Brass Vise Jaw Caps





PIPE TOOLS & VISES
SINCE 1896

Tripod Pipe Vises

FEATURES

- Patented, reversible double-sided bowtie jaws.
- Very sturdy due in part to the overlapping hinges on the lower tray and the adjustable tray clamp.
- Handle grip is positioned for best portage of the folded tripod.
- Sides on folding tray keep tools and parts safe from falling or rolling off.



PATENTED
DESIGNS

EXCLUSIVE
FEATURES

| Catalog No. | Item Code | Vise Style | Pipe Capacity | | Folded Length | | Weight | |
|--------------|-----------|---------------------------------|--------------------------------------|---------------------------------------|---------------|------|--------|------|
| | | | in-nom. | actual O.D. mm | in | mm | lbs | kg |
| △ R450+ | 02306 | Chain | 1/8 - 6 | 10 - 178 | 44 | 1118 | 36.3 | 16.5 |
| △ R40+ | 02311 | Yoke | 1/8 - 2 1/2 | 10 - 75 | 51 | 1295 | 39.1 | 17.8 |
| △ R450EXPORT | 02312 | Chain | 1/8 - 6 | 10 - 178 | 44 | 1118 | 36.3 | 16.5 |
| △ R40EXPORT | 02313 | Yoke | 1/8 - 2 1/2 | 10 - 75 | 51 | 1295 | 39.1 | 17.8 |
| △ R450PAL* | 04456 | Chain with Neoprene Coated Jaws | Plastic: 1/8 - 6 Conduit: 1/8 - 2 | Plastic: 10 - 178 Conduit: 10 - 51 | 44 | 1118 | 27.4 | 12.5 |
| △ R450P | 04457 | Chain with Neoprene Coated Jaws | 1/8 - 6 | 10 - 178 | 44 | 1118 | 36.3 | 16.5 |
| △ R450C* | 04458 | Chain | 1/8 - 6 | 10 - 178 | 44 | 1118 | 37.4 | 17.0 |
| △ R470P | 04459 | Chain with Neoprene Coated Jaws | 1/8 - 6 | 10 - 178 | 44 | 1118 | 42.0 | 19.1 |
| △ R470+ | 09402 | Chain | 1/8 - 6 | 10 - 178 | 44 | 1118 | 42.0 | 19.1 |
| △ R470EXPORT | 02314 | Chain | 1/8 - 6 | 10 - 178 | 44 | 1118 | 42.0 | 19.1 |

*EXCLUSIVE

Protect Plastic Pipe
with Neoprene Jaw
Side

R450PAL

Now with
Chain for 6"
Plastic Pipe

60% Larger
Top Tray than
the R450+

R470+

Crank Handle
At 45° Angle

Padded
Handle

Adjustable
Tray Clamp

6" Pipe
Capacity

Reversible
Double-Sided
Bowtie Jaws

Strongest
Tray on the
Market

Raised Lip
Keeps
Tools on
Tray

Overlapping
Hinges for
Added Strength

R40+
Ideal for high
torque work

WHY REED?

Tripod Pipe Vises are the sturdiest on the market. Double-sided bowtie jaws give user an extra set of jaws free! They are lightweight and feature a padded handle for carrying ease, making it the most portable and best value Tripod Pipe Vises available. Further, REED has the only Clean Room Tripod: R450C.

More About Tripod Pipe Vises

FEATURES

- **R450+:** patented, double-sided, steel bowtie jaws (450J) for up to 6" metal pipe; chain vises are best for holding both standard and irregular shapes
- **R470+:** patented, double-sided, steel bowtie jaws for up to 6" metal pipe; 60% larger top tray than R450+ and 45 degree crank handle
- **R450P & R470P:** for plastic pipe up to 6"; jaws made for plastic / soft metal and regular metal use with patented, double-sided neoprene / steel jaws (450PJ)
- **R450C:** patented stainless steel jaws, with rubber on one side; anodized (not painted) aluminum base for corrosion protection; clear slip tube over chain; food grade lubricant; good for clean room use
- **R450PAL:** easy carry at 27.4 lbs (12.5 kg) with aluminum legs for weight-critical field uses; up to 6" plastic pipe capacity; patented, double-sided neoprene/steel jaws (450PJ)
- **R450EXPORT:** unassembled R450+ designed for low cost international shipment
- **R40+:** two-sided lower jaws for up to 2 1/2" metal pipe; best Tripod for high torque applications like hand or power drive threading
- **R40EXPORT:** unassembled R40+ designed for low cost international shipment

 **DESIGNED FOR CLEAN ROOMS**

EXCLUSIVE TOOL



The **R450C Clean Room Tripod** comes with reversible, stainless steel, bowtie jaws with regular jaw teeth on one side and rubber-coated jaws on the other side. The tripod has an anodized aluminum base for corrosion resistance, along with a clear polymer slip tube to inhibit marring the pipe. (The slip tube covers the chain, but is easily removed.) Chain lubricant is food grade, not petroleum based.



XTRA VALUE



PIPE TOOLS & VISES
SINCE 1896

Pipe Jacks

FEATURES

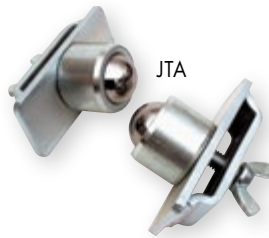
- 1" safety zone created by patented internal safety stop to protect against operator injuries.
- Folding jack, JFV, offers portability and impressive capacity.
- Three head options available to expand utility.



| Catalog No. | Item Code | Description | Height Adj. | | Weight Capacity | | Pipe Capacity | | Weight | |
|-------------|-----------|--------------------------|-------------|------------|-----------------|------|---------------|---------|--------|------|
| | | | in | mm | lbs | kgs | in | mm | lbs | kg |
| △ JFV | 06370 | Folding V-head Pipe Jack | 28 - 49 | 711 - 1245 | 2500 | 1135 | 1/8 - 24 | 3 - 610 | 25.0 | 11.4 |

ALTERNATE HEAD

| Catalog No. | Item Code | Description | Weight Capacity | | Pipe Capacity | | Weight | |
|-------------|-----------|--------------------------------------|-----------------|-----|---------------|--------|--------|-----|
| | | | lbs | kgs | in | mm | lbs | kg |
| JTA | 06351 | Ball Transfer Head Attachment (pair) | 1000 | 455 | 3/8 - 12 | 10-300 | 4.6 | 2.1 |



Chain Vises

FEATURES

- Chain vises grip pipe and irregular shapes well due to the flexibility of the chain sections.
- Three-sided jaws are standard on REED chain vises, allowing jaw face rotation (2x) before replacement.
- Cast hole in vise permits secure mounting to truck or bench.



| Catalog No. | Item Code | Pipe Capacity | | Weight | |
|-------------|-----------|---------------|----------------|--------|------|
| | | in-nom. | actual O.D. mm | lbs | kg |
| CV2 | 02510 | 1/8 - 2 1/2 | 10 - 75 | 9.3 | 4.2 |
| CV4 | 02520 | 1/8 - 4 | 10 - 114 | 14.6 | 6.6 |
| CV5 | 02530 | 1/8 - 5 | 10 - 141 | 15.5 | 7.0 |
| CV6 | 02540 | 1/4 - 6 | 14 - 168 | 28.4 | 12.9 |
| CV8 | 02550 | 1/2 - 8 | 21 - 219 | 46.3 | 21.0 |
| CV12* | 02560** | 1 - 12 | 25 - 335 | 111.0 | 50.5 |

*EXCLUSIVE SIZE



**Model ships freight.

WHY REED?

REED chain vises save money because they come standard with three-sided jaws. Only REED has a 12" capacity chain vise.



Field Pipe Vise

FEATURES

- Designed for heavy-duty, pre-trench or field work.
- Vise works by tightening the chain of the smooth jaws, clamping the pipe to the stand.
- Perfect for supporting work during cutting operations using REED Hinged Cutters, Rotary Pipe Cutters, and the Universal Pipe Cutter.

| Catalog No. | Item Code | Pipe Capacity | | Weight | |
|-------------|-----------|---------------|----------------|--------|-----|
| | | in-nom. | actual O.D. mm | lbs | kg |
| FPV20* | 06027 | 2 - 20 | 50 - 500 | 20.6 | 9.4 |

*To create legs and backbone, use 1 1/2" nominal diameter Sch. 40 steel pipe.

LEGS AND BACKBONE

| Catalog No. | Item Code | Description | Weight | |
|-------------|-----------|---|--------|------|
| | | | lbs | kg |
| FPVBLS | 96014 | Legs (40" each) and Backbone (6 ft. long) | 50.0 | 22.7 |

LARGE DIAMETER PIPE? NO PROBLEM!



Yoke Pipe Vises

FEATURES

- Best choice for all pipe work because there are four points of contact for the jaws to grip the pipe.
- REED yoke vises are solidly built, and provide the powerful grip required for demanding pipe fitting and threading operations.
- Hardened, high carbon steel jaws for toughness and long life.

| Catalog No. | Item Code | Pipe Capacity | | Weight | |
|-------------|-----------|---------------|----------------|--------|------|
| | | in-nom. | actual O.D. mm | lbs | kg |
| R0 | 02420 | 1/8 - 2 | 10 - 60 | 6.7 | 3.0 |
| R1 | 02430 | 1/8 - 2 1/2 | 10 - 75 | 9.8 | 4.5 |
| R2 | 02440 | 1/8 - 3 1/2 | 10 - 102 | 16.3 | 7.4 |
| R3 | 02450 | 1/8 - 4 1/2 | 10 - 127 | 25.0 | 11.4 |
| 64 | 02460 | 1/4 - 6 | 14 - 168 | 49.0 | 22.3 |
| 65* | 02470** | 1 - 8 | 32 - 219 | 80.0 | 36.4 |
| 66* | 02480** | 1 1/2 - 12 | 48 - 335 | 168.0 | 76.4 |

*EXCLUSIVE SIZES

**Model ships freight.

WHY REED?
Only REED makes yoke vises in 8" and 12" capacities.

EXCLUSIVE SIZES

WHY REED?

Double-faced lower jaws on R Series vises allow reversal before replacement.



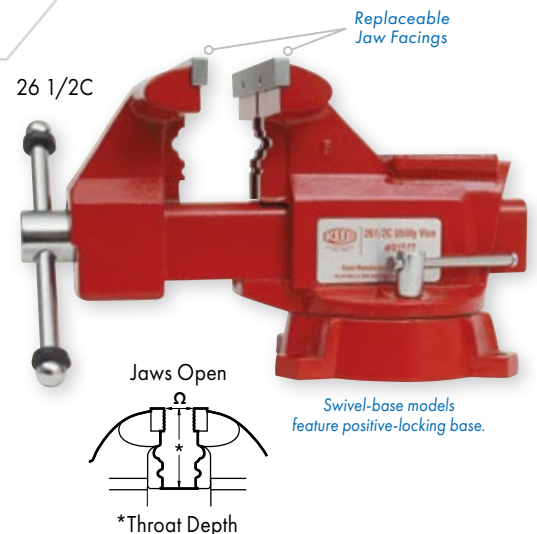
Utility Workshop Vises

FEATURES

- Standard utility vise features a swivel base for flexibility.
- Rubber washers on the handle reduce finger pinching injuries.
- Strong vise body construction of 30,000 PSI gray cast iron.
- Workbench sized vise for normal, utility use.
- Cast vise with pipe jaws, anvil and horn.

| Catalog No. | Item Code | Throat Depth* | | Jaw Width | | Jaws Open ^Ω | | Weight | |
|-------------|-----------|---------------|-----|-----------|-----|------------------------|-----|--------|------|
| | | in | mm | in | mm | in | mm | lbs | kg |
| 24 1/2C | 01522 | 2 1/2 | 64 | 4 1/2 | 115 | 4 | 102 | 17.4 | 7.9 |
| 25 1/2C | 01532 | 3 | 76 | 5 1/2 | 140 | 5 | 127 | 27.0 | 12.3 |
| 26 1/2C | 01542 | 3 3/8 | 86 | 6 1/2 | 165 | 6 | 152 | 41.0 | 18.6 |
| 26B | 01545 | 4 3/16 | 120 | 6 | 150 | 6 | 152 | 60.0 | 27.3 |

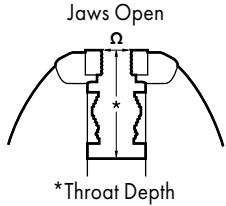
*See Illustration / ^Ω See Illustration





PIPE TOOLS & VISES
SINCE 1896

Replaceable
Jaw Facings



Swivel-base models
feature positive-locking base.

Mid-Line Vises

FEATURES

- Well-made, durable vise for mid-duty jobs.
- The vise screw and nut are enclosed to keep out dirt, and they are permanently lubricated.
- Rubber washers on the handle reduce finger pinching injuries.
- Always use vise of proper size and capacity to hold work object.

| Catalog No. | Item Code | Throat Depth* | | Jaw Width | | Jaws Open ^Ω | | Pipe Capacity in-nom. | Weight | |
|-------------|-----------|---------------|-------|-----------|-----|------------------------|-------|-----------------------|--------|------|
| | | in | mm | in | mm | in | mm | | lbs | kg |
| 704 | 01385 | 3.45 | 88 | 4 | 102 | 4.5 | 114 | 1/2 - 2 | 36.0 | 16.4 |
| 705 | 01387 | 3.75 | 95 | 5 | 127 | 5.5 | 140 | 1/4 - 2 1/2 | 47.0 | 21.4 |
| 706 | 01389 | 4.10 | 104 | 6 | 152 | 5.7 | 146 | 1/4 - 3 1/2 | 61.0 | 27.7 |
| 708 | 01390 | 4.75 | 120.7 | 8 | 203 | 8.25 | 209.6 | 1/4 - 3 1/2 | 81.8 | 37.2 |

* See Illustration / ^Ω See Illustration

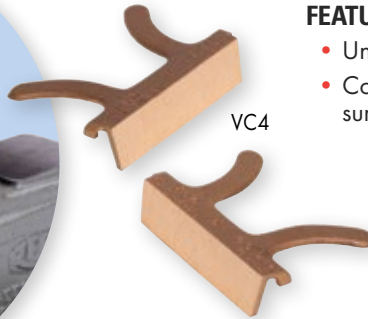


Vises have enclosed screw assembly for all-weather protection.

Brass Vise Jaw Caps

FEATURES

- Universal jaw facings fit simply bending back the "ears."
- Convert any REED vise jaw facing to a smooth surface with proper sized brass caps.



| Catalog No. | Item Code | Jaw Width | Weight | |
|-------------|-----------|------------|--------|-----|
| | | | lbs | kg |
| VC4 | 01570 | 4" / 102mm | 1.0 | 0.5 |
| VC5 | 01580 | 5" / 127mm | 1.8 | 0.8 |
| VC6 | 01590 | 6" / 152mm | 2.7 | 1.2 |

TRAINING VIDEOS

REED has a dynamic library of training videos in English with some in other languages. Viewing a demonstration often makes tool use more understandable, no matter the language. Visit videos.reedmfgco.com or [youtube.com/ReedManufacturing](https://www.youtube.com/ReedManufacturing) for the full collection.



videos.reedmfgco.com



LOOK FOR
THIS ICON



A high speed connection is recommended.