

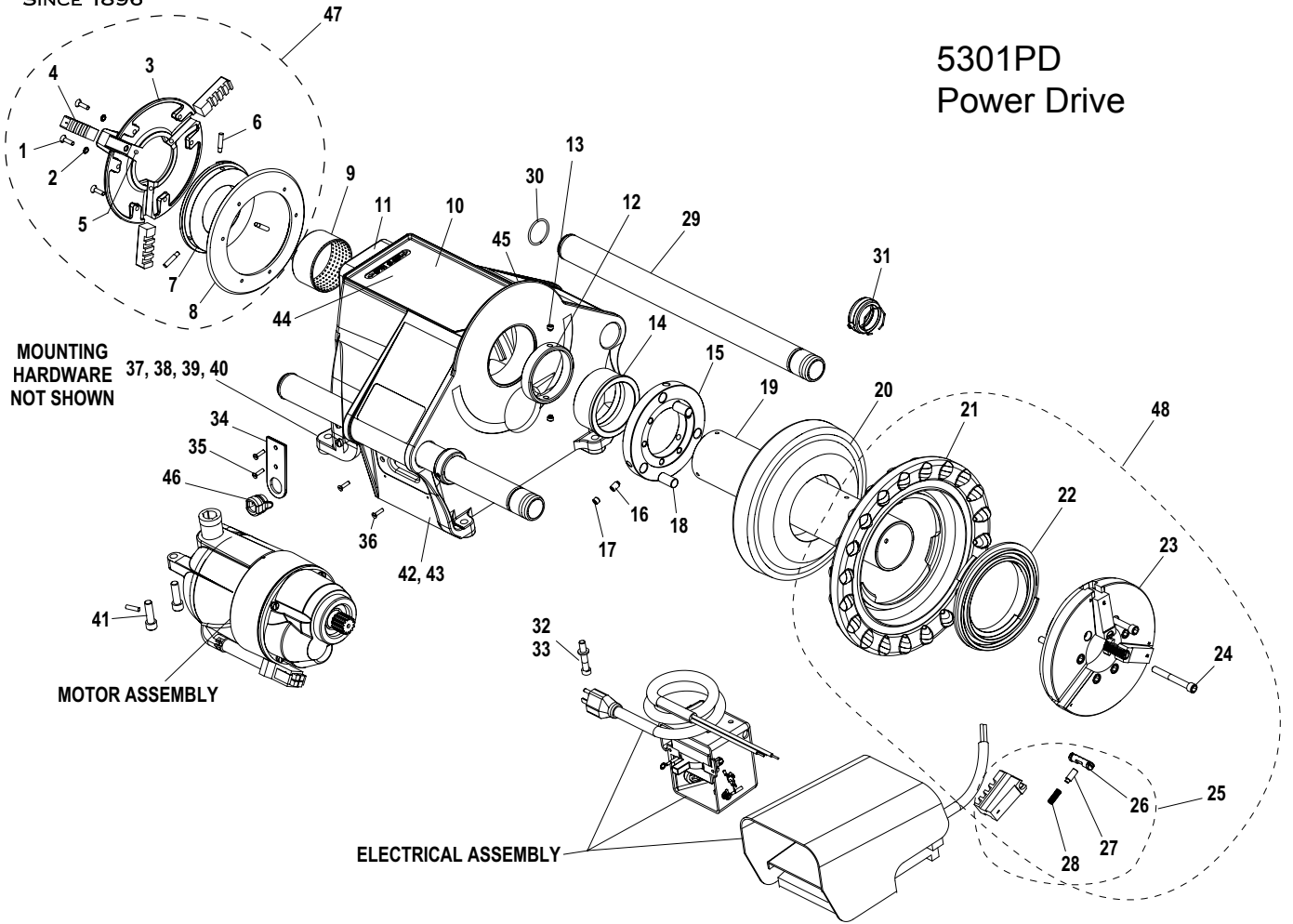


PIPE TOOLS & VISES  
SINCE 1896

# 5301PD Power Drive

Replacement Parts

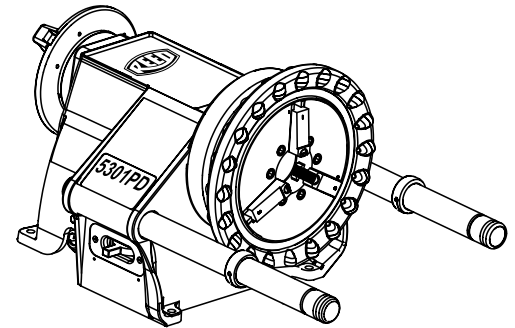
## 5301PD Power Drive



### Parts List

| Ref. No. | Description     | Item Code | Qty. | Ridgid #   |
|----------|-----------------|-----------|------|------------|
| 1        | SCREW, SLOTTED  | 35400     | 6    | 46790 6/Pk |
| 2        | LOCK WASHER     | 35401     | 6    | 40270 6/Pk |
| 3        | CENTERING HEAD  | 95400     | 1    | 43735      |
| 4        | REAR JAW SET    | 95882     | 1    | 46500      |
| 5        | BALL BEARING    | 35406     | 3    | —          |
| 6        | STEP PIN        | 95411     | 3    | 45260 5/Pk |
| 7        | SCROLL, REAR    | 95412     | 1    | 44095      |
| 8        | BACK PLATE      | 95401     | 1    | 43740      |
| 9        | REAR BEARING    | 95414     | 1    | —          |
| 10       | BODY            | 95571     | 1    | —          |
| 11       | GREASE FITTING  | 40338     | 1    | 46860      |
| 12       | THRUST RING     | 95419     | 1    | 45345      |
| 13       | SET SCREW       | 35404     | 2    | 33785 5/Pk |
| 14       | FRONT BEARING   | 95415     | 1    | —          |
| 15       | DRIVE RING      | 95427     | 1    | 30027      |
| 16       | SET SCREW       | 35412     | 3    | 45265 3/Pk |
| 17       | SET SCREW       | 35413     | 3    | 45300 5/Pk |
| 18       | DRIVE DOWEL PIN | 35415     | 3    | 30022 3/Pk |
| 19       | DRIVE SHAFT     | 95413     | 1    | 44100      |
| 20       | RING GEAR       | 95409     | 1    | 30017      |
| 21       | HAND WHEEL      | 95403     | 1    | 89150      |

| Ref. No. | Description             | Item Code | Qty. | Ridgid #   |
|----------|-------------------------|-----------|------|------------|
| 22       | SCROLL, FRONT           | 95404     | 1    | 43540      |
| 23       | CAP                     | 95405     | 1    | 43525      |
| 24       | BOLT, SHCS              | 35405     | 6    | 45295 6/Pk |
| 25       | JAW SET, FRONT          | 95552     | 1    | 44090      |
| 26       | JAW INSERT              | 95421     | 3    | 44715      |
| 27       | PIN                     | 95422     | 3    | —          |
| 28       | COMPRESSION SPRING      | 95451     | 3    | —          |
| 29       | SUPPORT BAR             | 95483     | 2    | 44425      |
| 30       | SPRING RING             | 95424     | 2    | 44525      |
| 31       | RETAINING RING ASSEMBLY | 95880     | 2    | 44725      |
| 32       | LOCK WASHER             | 35429     | 1    | —          |
| 33       | BOLT, SHCS              | 35403     | 1    | —          |
| 34       | STRAIN RELIEF PLATE     | 95423     | 1    | 45825      |
| 35       | SCREW                   | 35407     | 2    | 44735 5/Pk |
| 36       | SCREW                   | 35408     | 2    | 45280      |
| 37       | BOLT, HEX               | 35416     | 4    | 46670 5/Pk |
| 38       | FLAT WASHER             | 30011     | 4    | 44230 5/Pk |
| 39       | LOCK WASHER             | 30033     | 4    | 40930 5/Pk |
| 40       | WING NUT                | 23382     | 4    | 45385      |
| 41       | BOLT, SHCS              | 35411     | 2    | 46745 5/Pk |



| Ref. No. | Description                         | Item Code | Qty. | Ridgid # |
|----------|-------------------------------------|-----------|------|----------|
| 42       | DRIVE SCREW                         | 37710     | 4    | —        |
| 43       | NAME PLATE                          | 95418     | 1    | —        |
| 44       | WARNING STICKER                     | 95578     | 1    | 88690    |
| 45       | GREASE FITTING                      | 35450     | 1    | —        |
| 46       | CORD GROMMET                        | 95429     | 1    | 46735    |
| 47       | REAR JAW ASSEMBLY                   | 95476     | 1    | —        |
| 48       | FRONT HANDWHEEL SCROLL / JAW ASSEM. | 95484     | 1    | —        |

BODY BEARINGS AND HARDWARE INCLUDES:  
9, 10, 11, 14, 39, 40, 41, 45, 46, 95569 1

RIDGID® is a registered trademark of RIDGID, Inc. and is not associated with Reed Manufacturing Company

**Reed Manufacturing Company**  
1425 West 8th Street  
Erie, PA 16502 USA



Phone: 800-666-3691 or 814-452-3691  
Fax: 800-456-1697 or 814-455-1697  
www.reedmfgco.com

1 of 7 RP-0919-86

See Also: #55301 Operator's Manual

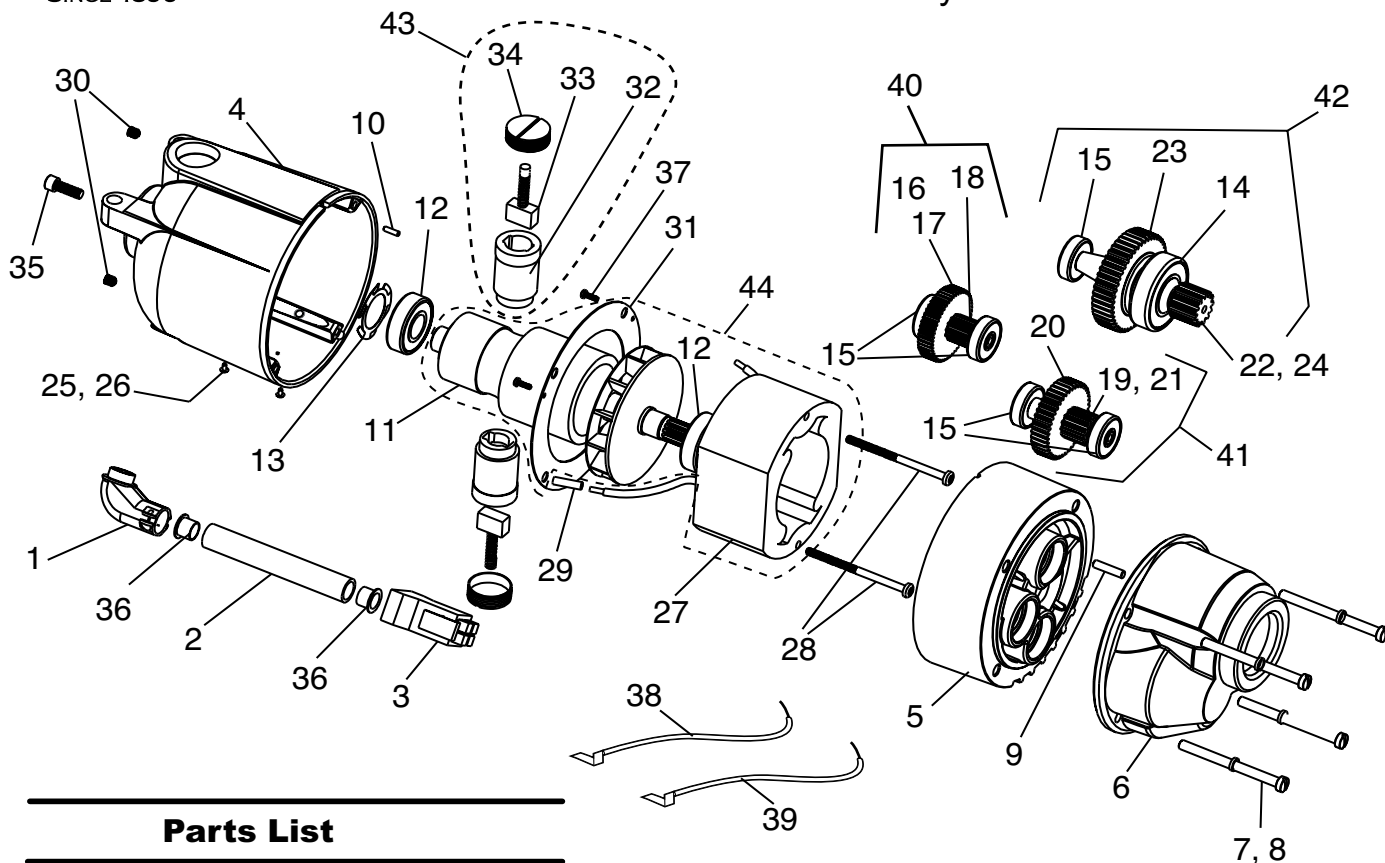


PIPE TOOLS & VISES  
SINCE 1896

# 5301PD Power Drive

Replacement Parts

## 5301PD Motor Assembly



### Parts List

| Ref. No. | Description              | Item Code | Qty. | Ridgid #   |
|----------|--------------------------|-----------|------|------------|
| 1        | 90° CONNECTOR            | 95452     | 1    | 46900      |
| 2        | CONDUIT                  | 95453     | 1    | —          |
| 3        | PLUG                     | 95454     | 1    | 46830      |
| 4        | MOTOR HOUSING            | 95406     | 1    | —          |
| 5        | FAN HOUSING              | 95407     | 1    | 43165      |
| 6        | GEAR COVER               | 95408     | 1    | 42875      |
| 7        | LOCK WASHER              | 35428     | 4    | 45150 5/Pk |
| 8        | SCREW                    | 35427     | 4    | 45075 5/Pk |
| 9        | DOWEL PIN                | 95417     | 1    | —          |
| 10       | DOWEL PIN                | 35430     | 1    | —          |
| 11       | ARMATURE W/FAN           | 95572     | 1    | 44010      |
| 12       | BEARING                  | 98855     | 2    | 44565      |
| 13       | FINGER DISK SPRING       | 95445     | 1    | 44580      |
| 14       | BEARING                  | 98845     | 1    | 45315      |
| 15       | BEARING                  | 98846     | 5    | 45060      |
| 16       | GEAR SHAFT - 1ST         | 95446     | 1    | 44985      |
| 17       | SPUR GEAR                | 95447     | 1    | 44985      |
| 18       | KEY                      | 48810     | 1    | 44985      |
| 19       | GEAR SHAFT - 2ND- 38 RPM | 95448     | 1    | 45005      |
|          | - 57 RPM                 | 95564     | 1    | 45005      |
| 20       | SPUR GEAR                | 98809     | 1    | 45005      |
| 21       | KEY                      | 48810     | 1    | 45005      |
| 22       | GEAR SHAFT - 3RD         | 95450     | 1    | 45370      |
| 23       | SPUR GEAR - 38 RPM       | 95449     | 1    | 45370      |
|          | - 57 RPM                 | 95563     | 1    | 45370      |
| 24       | KEY                      | 48816     | 1    | 45370      |
| 25       | NAME PLATE               | 95456     | 1    | —          |
| 26       | DRIVE SCREW              | 30133     | 2    | 85920 5/Pk |

See  
Ref. No. 40

See  
Ref. No. 41

See  
Ref. No. 42

### Complete Motor Assembly

38 RPM 95481  
57 RPM 95499

| Ref. No. | Description                  | Item Code | Qty. | Ridgid #   |
|----------|------------------------------|-----------|------|------------|
| 27       | FIELD                        | 95573     | 1    | 86690 2/Pk |
| 28       | FIELD SCREW                  | 98848     | 2    | 44555 2/Pk |
| 29       | INSULATOR TUBE               | 98885     | 2    | —          |
| 30       | SET SCREW                    | 30018     | 2    | 39770 5/Pk |
| 31       | FAN PLATE                    | 95474     | 1    | —          |
| 32       | BRUSH HOLDER                 | 95455     | 2    | —          |
| 33       | BRUSH ASSEMBLY, PAIR         | 95570     | 1    | 44540      |
| 34       | BRUSH CAP                    | 95459     | 2    | —          |
| 35       | LOCK SCREW                   | 35435     | 1    | —          |
| 36       | BUSHING PLASTIC              | 35434     | 2    | —          |
| 37       | SCREW                        | 35449     | 3    | —          |
| 38       | BRUSH LEAD, BLUE w/TERMINAL  | 95580     | 1    | —          |
| 39       | BRUSH LEAD, WHITE w/TERMINAL | 95579     | 1    | —          |
| 40       | SHAFT ASSEMBLY 1             | 95478     | 1    | 44985      |
| 41       | SHAFT ASSEMBLY 2 - 38 RPM    | 95479     | 1    | 45005      |
|          | 57 - RPM                     | 95549     | 1    | —          |
| 42       | SHAFT ASSEMBLY 3 - 38 RPM    | 95480     | 1    | 45370      |
|          | 57 RPM                       | 95550     | 1    | —          |
| 43       | BRUSH/HOLDER/CAP ASSEMBLY    | 95585     | 2    | —          |
| 44       | FIELD & ARMATURE             | 95587     | 1    | —          |

See  
Ref. No. 43

RIDGID® is a registered trademark of RIDGID, Inc. and is not associated with Reed Manufacturing Company

Reed Manufacturing Company  
1425 West 8th Street  
Erie, PA 16502 USA



Phone: 800-666-3691 or 814-452-3691  
Fax: 800-456-1697 or 814-455-1697  
www.reedmfgco.com

2 of 7 RP-0919-86  
See Also: #55301 Operator's Manual

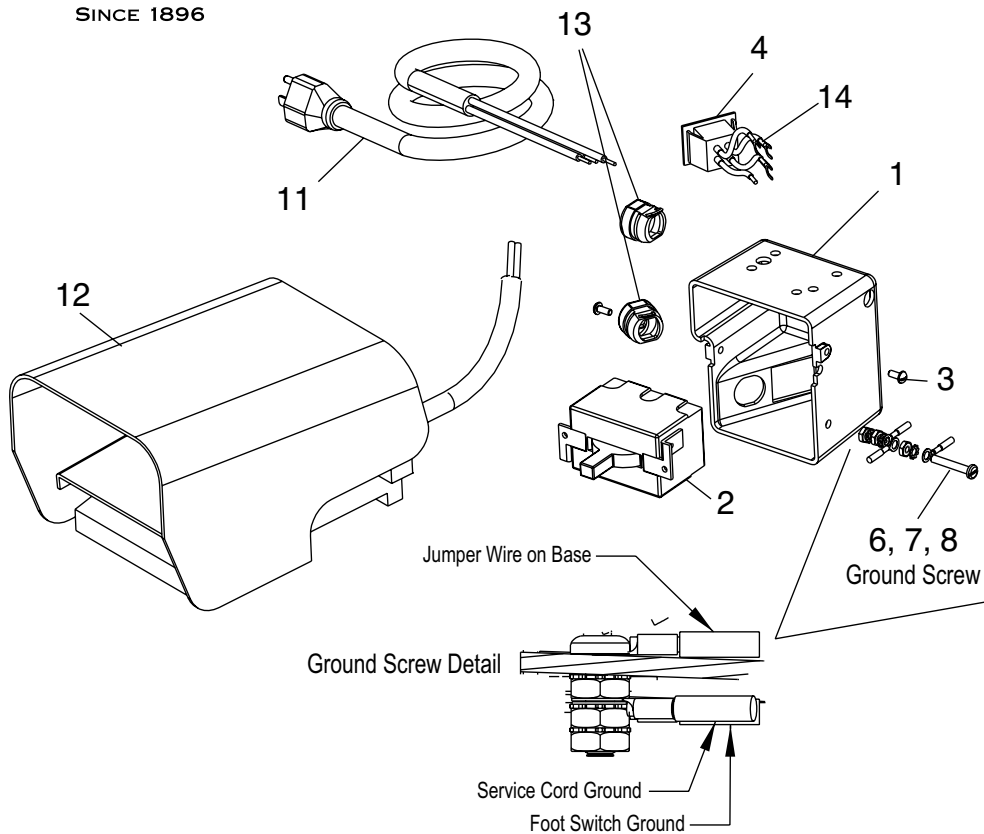


PIPE TOOLS & VISES  
SINCE 1896

# 5301PD Power Drive

Replacement Parts

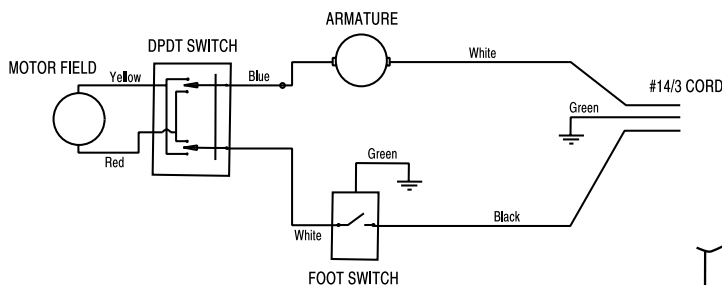
## 5301PD Electrical Assembly



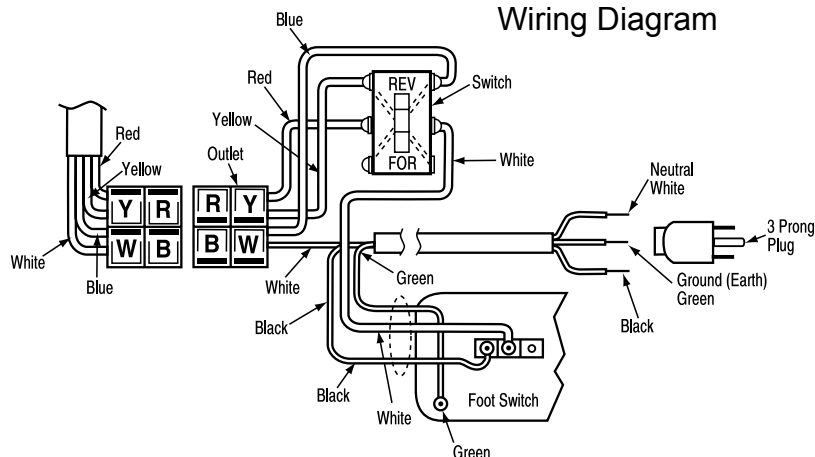
### Parts List

| Ref. No. | Description          | Item Code | Qty. | Ridgid #   |
|----------|----------------------|-----------|------|------------|
| 1        | SWITCH BOX           | 95430     | 1    | —          |
| 2        | SWITCH               | 95557     | 1    | 44505      |
| 3        | SCREW                | 30106     | 2    | —          |
| 4        | OUTLET JUMPER ASSY.  | 95556     | 1    | —          |
| 5        | RING TONGUE TERMINAL | 98859     | 3    | —          |
| 6        | SCREW (GROUND)       | 30159     | 1    | —          |
| 7        | LOCK WASHER          | 35423     | 3    | 46985 5/Pk |
| 8        | HEX NUT              | 30117     | 3    | —          |
| 9        | GROUND WIRE          | 95438     | 1    | —          |
| 10       | SCREW                | 35431     | 1    | —          |
| 11       | LINE CORD W/PLUG     | 95432     | 1    | 46740      |
| 12       | FOOT SWITCH W/CORD   | 95574     | 1    | 36642      |
| 13       | CORD GROMMET         | 95429     | 3    | 46735      |
| 14       | SPADE TERMINAL       | 35436     | 4    | —          |

### 5301PD Wiring Schematic



### 5301PD Wiring Diagram



RIDGID® is a registered trademark of RIDGID, Inc. and is not associated with Reed Manufacturing Company

Reed Manufacturing Company  
1425 West 8th Street  
Erie, PA 16502 USA



Phone: 800-666-3691 or 814-452-3691  
Fax: 800-456-1697 or 814-455-1697  
www.reedmfgco.com

3 of 7 RP-0919-86  
See Also: #55301 Operator's Manual

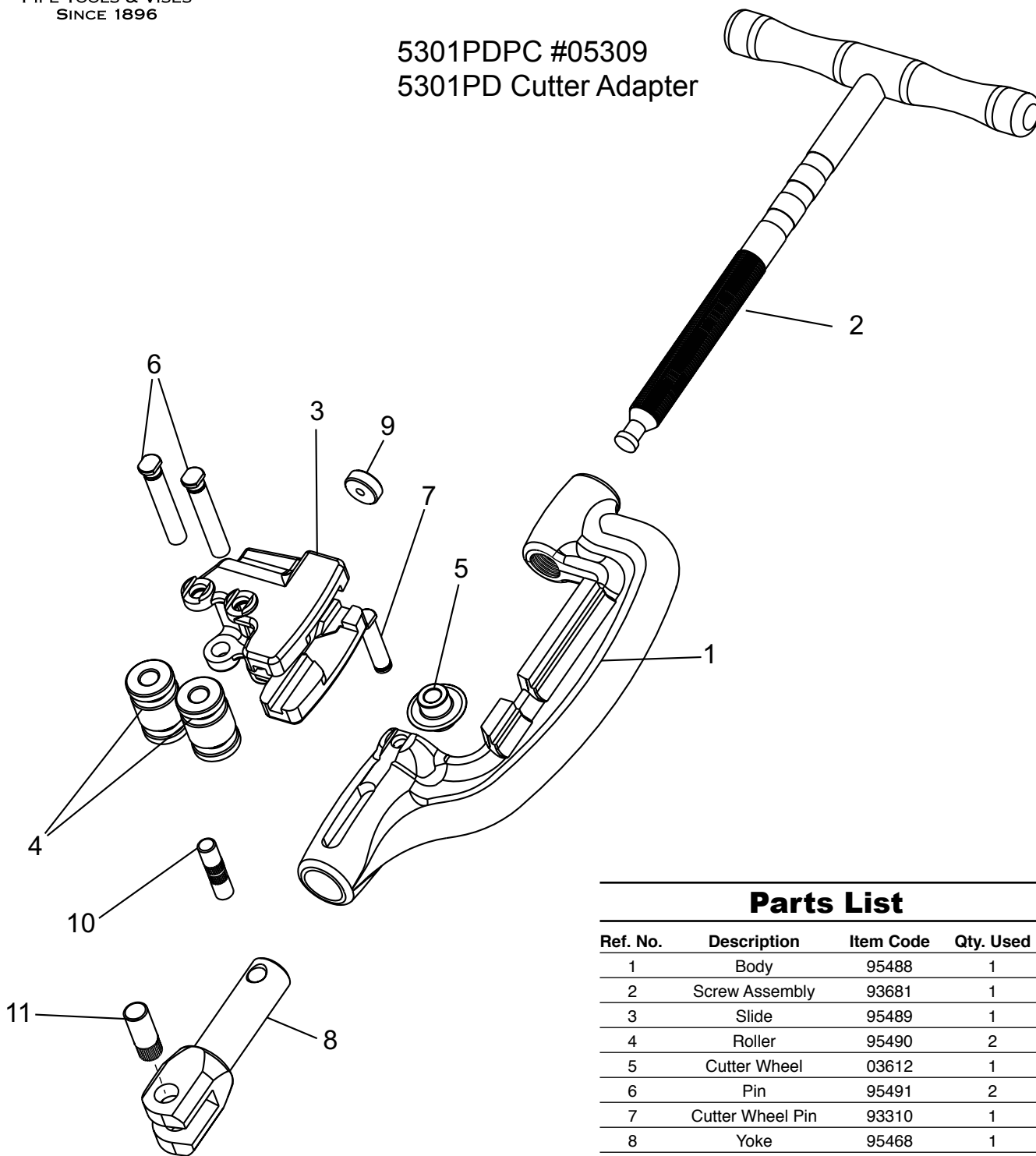


PIPE TOOLS & VISES  
SINCE 1896

# 5301PD Power Drive

Replacement Parts

5301PDPC #05309  
5301PD Cutter Adapter



## Parts List

| Ref. No. | Description      | Item Code | Qty. Used |
|----------|------------------|-----------|-----------|
| 1        | Body             | 95488     | 1         |
| 2        | Screw Assembly   | 93681     | 1         |
| 3        | Slide            | 95489     | 1         |
| 4        | Roller           | 95490     | 2         |
| 5        | Cutter Wheel     | 03612     | 1         |
| 6        | Pin              | 95491     | 2         |
| 7        | Cutter Wheel Pin | 93310     | 1         |
| 8        | Yoke             | 95468     | 1         |
| 9        | Trust Washer     | 93679     | 1         |
| 10       | Knurled Pin      | 95560     | 1         |
| 11       | 1/2 x 1-1/4 Pin  | 95561     | 1         |

Reed Manufacturing Company  
1425 West 8th Street  
Erie, PA 16502 USA



Phone: 800-666-3691 or 814-452-3691  
Fax: 800-456-1697 or 814-455-1697  
www.reedmfgco.com



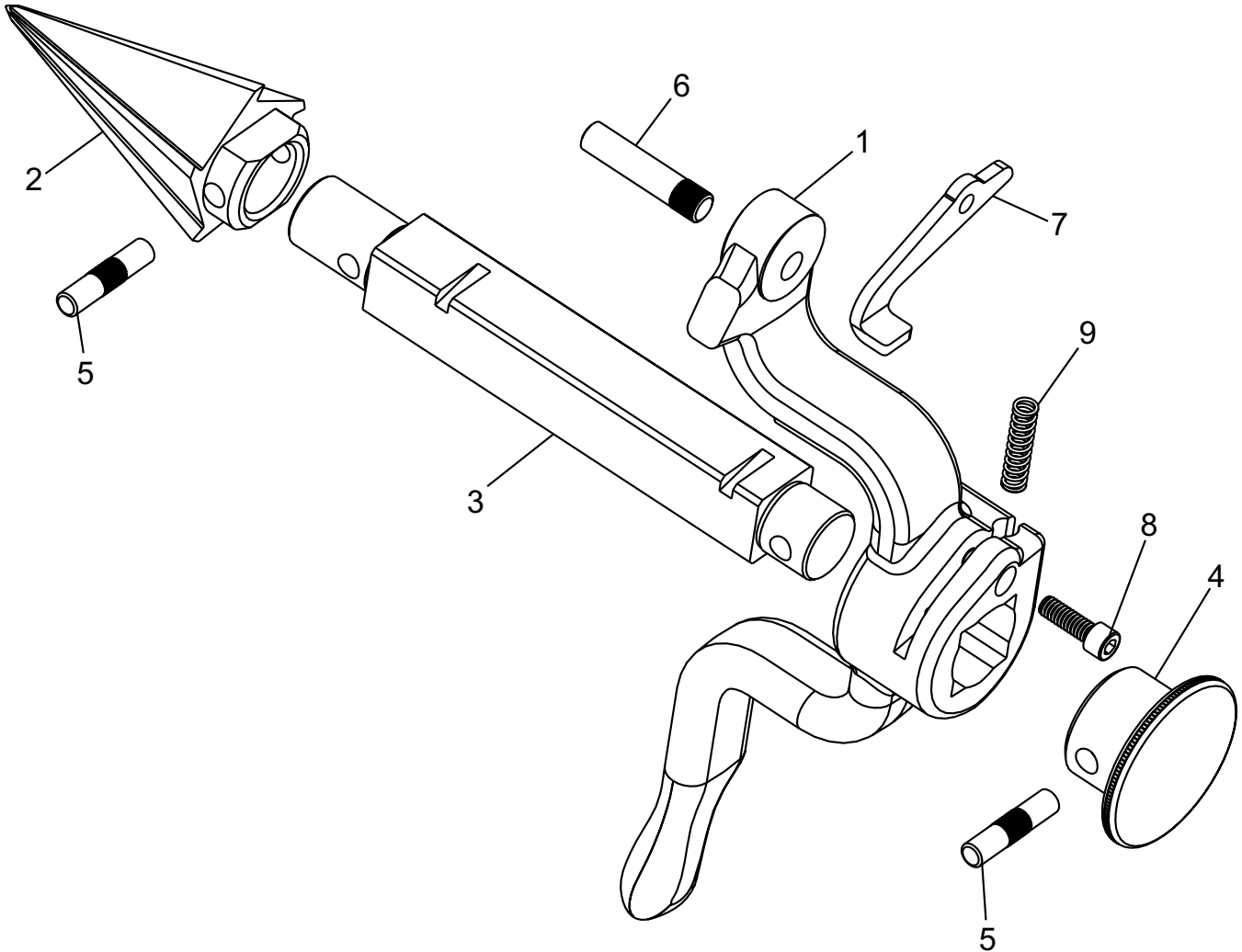
PIPE TOOLS & VISES  
SINCE 1896

# 5301PD Power Drive

Replacement Parts

5301PDR #05308

5301PD Reamer Adapter



## Parts List

| Ref. No. | Description    | Item Code | Qty. Used |
|----------|----------------|-----------|-----------|
| 1        | Arm            | 95487     | 1         |
| 2        | Reamer         | 95492     | 1         |
| 3        | Bar            | 95493     | 1         |
| 4        | Knob           | 95494     | 1         |
| 5        | Pin            | 95495     | 2         |
| 6        | Hinge Pin      | 95496     | 1         |
| 7        | Latch          | 95497     | 1         |
| 8        | 1/4 x 3/4" Pin | 30004     | 1         |
| 9        | Spring         | 95451     | 1         |

Reed Manufacturing Company  
1425 West 8th Street  
Erie, PA 16502 USA



Phone: 800-666-3691 or 814-452-3691  
Fax: 800-456-1697 or 814-455-1697  
www.reedmfgco.com

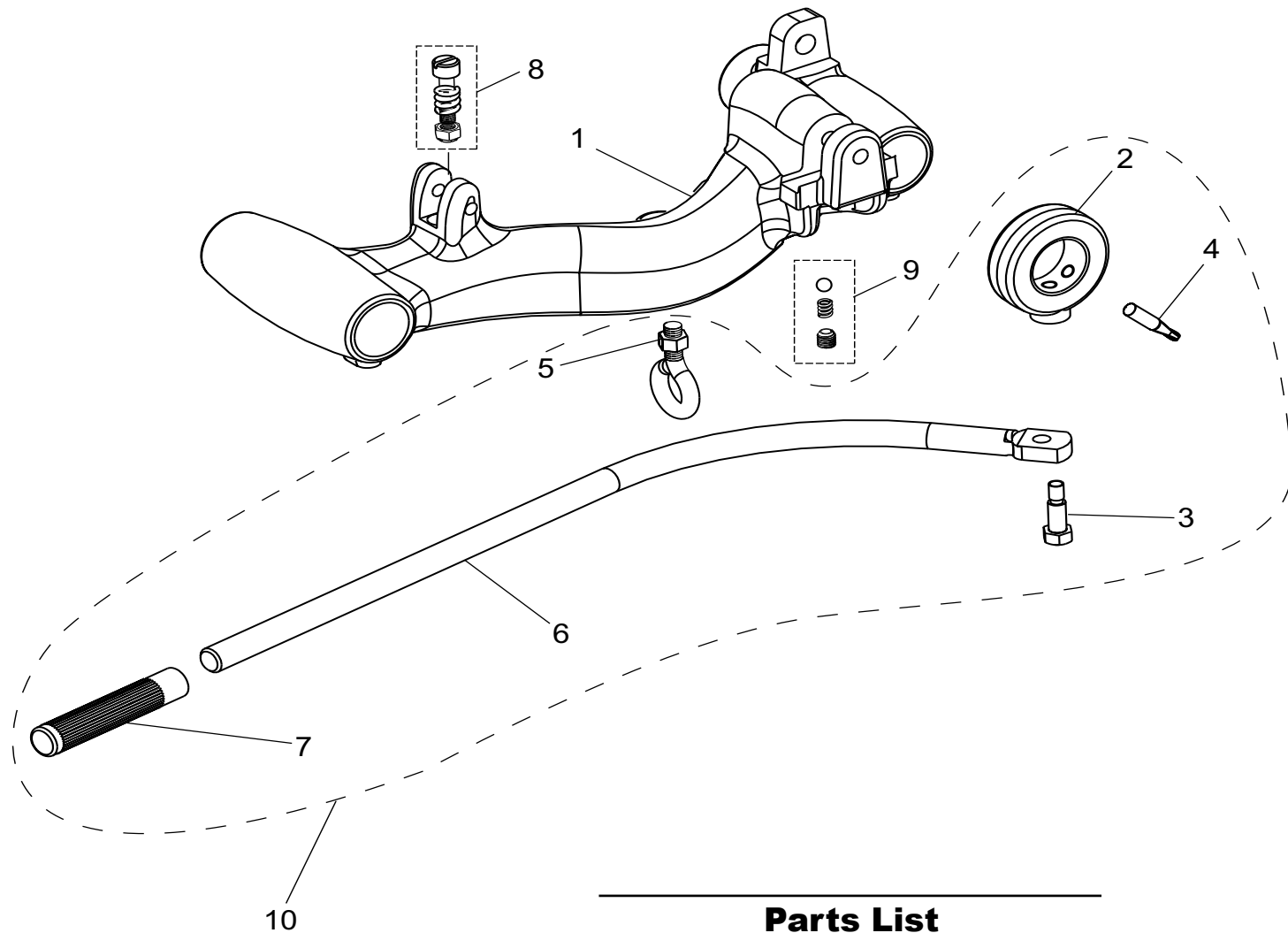


PIPE TOOLS & VISES  
SINCE 1896

# 5301PD Power Drive

Replacement Parts

## CARRIAGE #05307 5301PD Carriage Adapter



### Parts List

| Ref. No. | Description        | Item Code | Qty. Used |
|----------|--------------------|-----------|-----------|
| 1        | Carriage           | 95465     | 1         |
| 2        | Collar             | 95410     | 1         |
| 3        | Shoulder Bolt      | 35424     | 1         |
| 4        | Thumb Screw        | 45425     | 1         |
| 5        | Eye Bolt           | 45550     | 1         |
| 6        | Lever Arm          | 95551     | 1         |
| 7        | Grip               | 92754     | 1         |
| 8        | Stop Bolt Assembly | 95881     | 1         |
| 9        | Ball Retainer Kit  | 95833     | 1         |
| 10       | Lever Assembly     | 95885     | 1         |

Reed Manufacturing Company  
1425 West 8th Street  
Erie, PA 16502 USA



Phone: 800-666-3691 or 814-452-3691  
Fax: 800-456-1697 or 814-455-1697  
www.reedmfgco.com

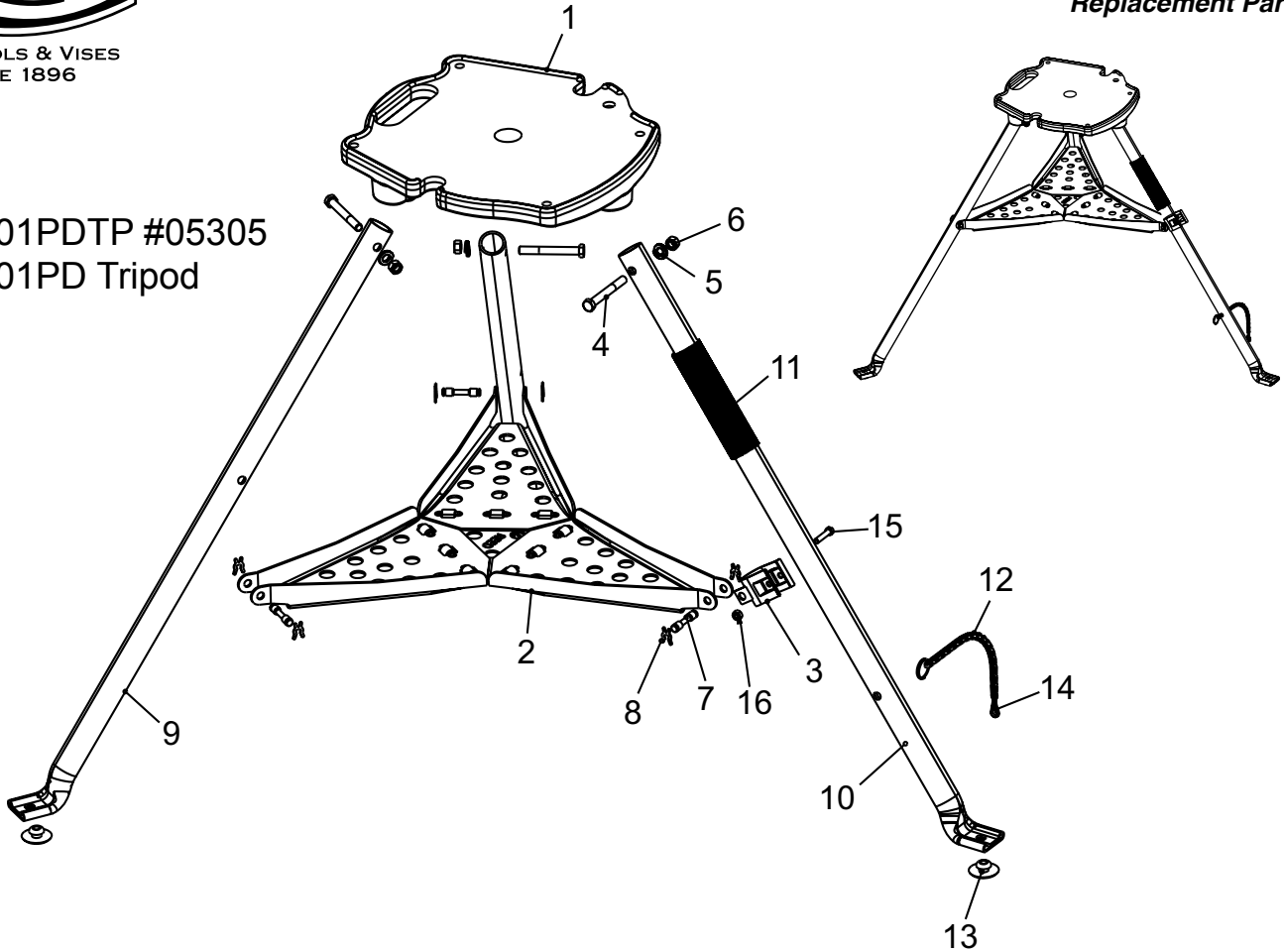


PIPE TOOLS & VISES  
SINCE 1896

# 5301PD Power Drive

## Replacement Parts

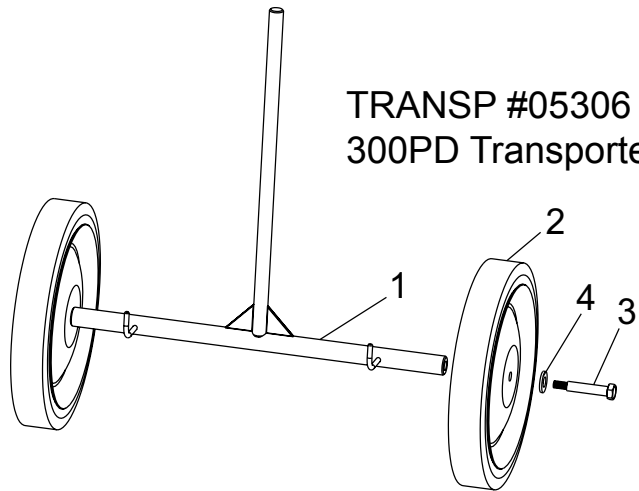
5301PDTP #05305  
5301PD Tripod



### Parts List

| Ref. No. | Description        | Item Code | Qty. Used |
|----------|--------------------|-----------|-----------|
| 1        | 5301PD Base        | 95398     | 1         |
| 2        | Tray Assembly      | 99004     | 1         |
| 3        | Tray Support Clamp | 40194     | 1         |
| 4        | Leg Bolt           | 30187     | 3         |
| 5        | Nut                | 30032     | 3         |
| 6        | Lock Washer        | 30033     | 3         |
| 7        | Tray Pin           | 99008     | 6         |
| 8        | X Washer           | 99010     | 2         |
| 9        | Front Leg          | 45465     | 2         |
| 10       | Rear Leg           | 45466     | 1         |
| 11       | Handle Grip        | 40183     | 1         |
| 12       | Leg Chain Assembly | 99055     | 1         |
| 13       | Grommet            | 40171     | 3         |
| 14       | Clip               | 40205     | 1         |
| 15       | Screw              | 39005     | 1         |
| 16       | Nut                | 30123     | 1         |

TRANSP #05306  
300PD Transporter



### Parts List

| Ref. No. | Description             | Item Code | Qty. Used |
|----------|-------------------------|-----------|-----------|
| 1        | Weldment Axle           | 95559     | 1         |
| 2        | Semi-Pneumatic Wheel    | 95473     | 2         |
| 3        | Hex Head Shoulder Screw | 35448     | 2         |
| 4        | 1/2 x 1/8 Flat Washer   | 38845     | 2         |

Reed Manufacturing Company  
1425 West 8th Street  
Erie, PA 16502 USA

**QUALITY**  
& Service  
that Last a Lifetime

Phone: 800-666-3691 or 814-452-3691  
Fax: 800-456-1697 or 814-455-1697  
www.reedmfgco.com

7 of 7 RP-0919-86  
See Also: #55301 Operator's Manual