

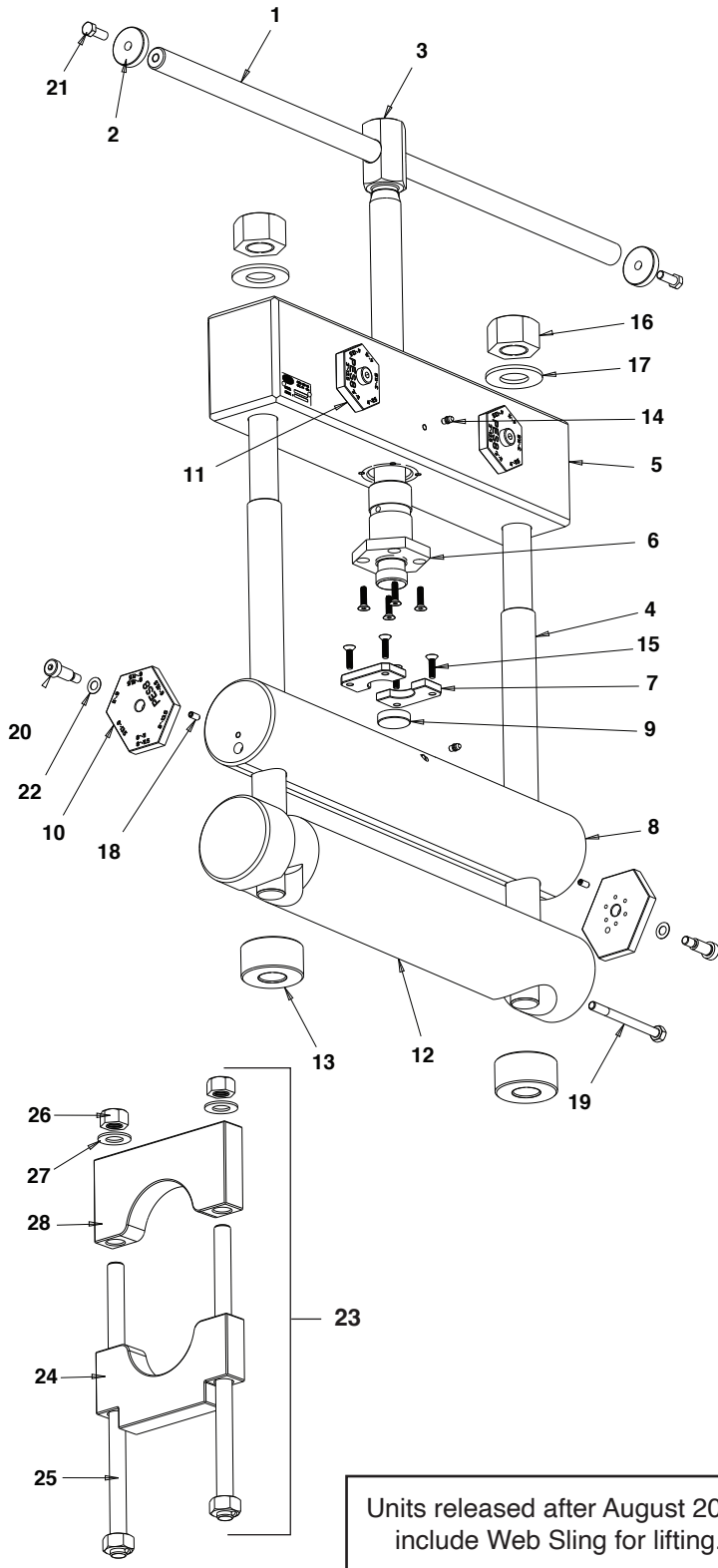


PIPE TOOLS & VISES
SINCE 1896

Applies to: 04308, 04708

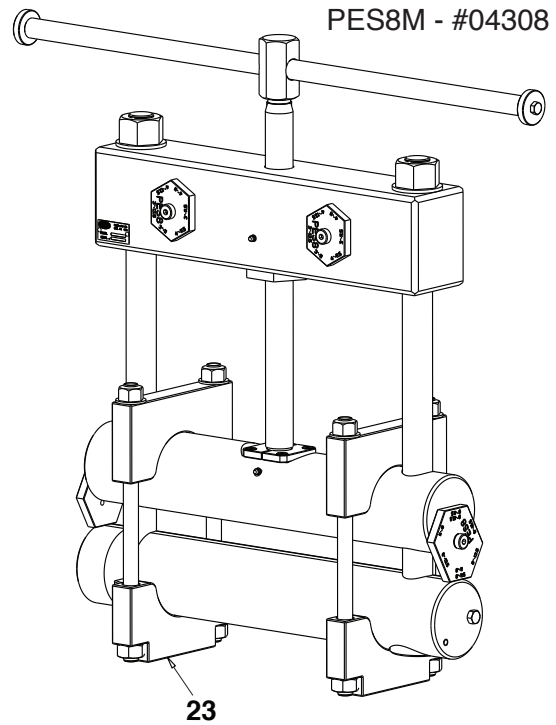
PES8M PE Squeeze-Off Tool

Replacement Parts



#04311
Clamp Assembly

Units released after August 2014
include Web Sling for lifting.



Parts List

Ref. No.	Description	Item Code	Qty. Used
1	Handle Rod	48331	1
2	Handle Cap	98311	2
3	Main Screw	98312	1
4	Tie Rod	98313	2
5	Head	98314	1
6	Acme Nut	98315	1
7	Retainer Plate	98316	2
8	Crosshead Bar	98330	1
9	Thrust Cup	98317	1
10*	Large Stops 6-8"	98319	pair
11*	Small Stops 3-4"	98320	pair
12	Bottom Bar	98332	1
13	Tie Rod End	98322	2
14	Grease Fitting	98323	2
15	Flat Head Cap Screw	30040	8
16	Heavy Hex Nut	38311	2
17	Flat Washer	38312	2
18	Ball Plunger	98327	2
19	Hex Bolt	30083	1
20	Shoulder Bolt	38314	4
21	Hex Bolt 3/8 X 1	30044	2
22	Spring Washer	92761	2
23	Clamp Assembly	04311	2
24	Bottom Clamp Bar	98336	1
25	Clamp Rod	98326	2
26	Hex Nut	38310	2
27	Flat Washer	38316	2
28	Top Clamp Bar	98335	1
29	Web Sling (not shown)	98329	1

*PES8METRIC Metric units include stops 98360 & 98319SO, pair of each.