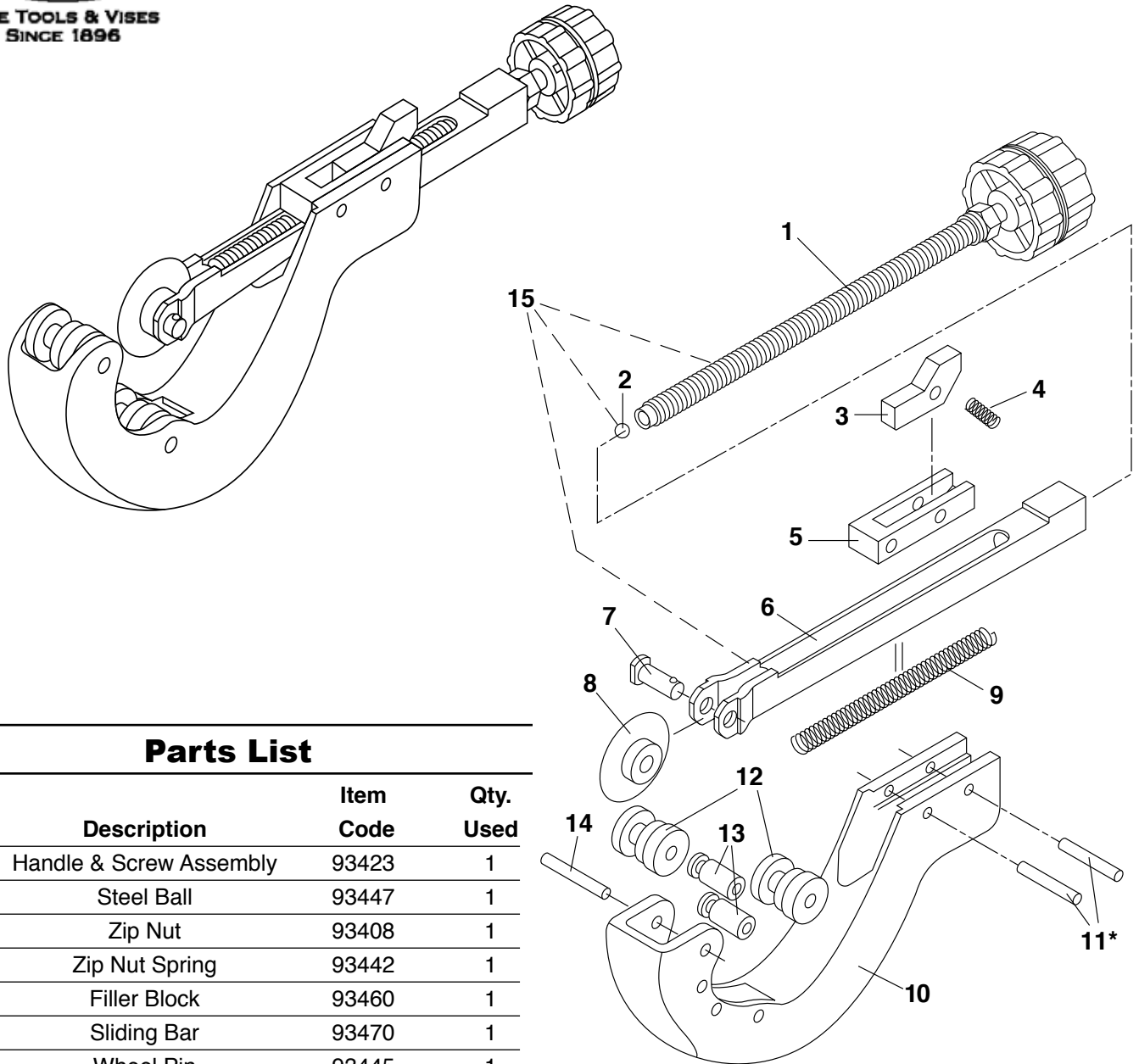




PIPE TOOLS & VISES
SINCE 1896

Tubing Cutters (TC3Q & TC3QP)

Replacement Parts

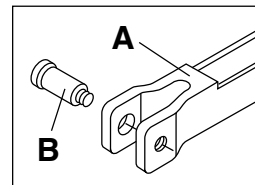


Parts List

Ref. No.	Description	Item Code	Qty. Used
1	Handle & Screw Assembly	93423	1
2	Steel Ball	93447	1
3	Zip Nut	93408	1
4	Zip Nut Spring	93442	1
5	Filler Block	93460	1
6	Sliding Bar	93470	1
7	Wheel Pin	93445	1
8	Cutter Wheel (for copper)	03665	1
8	Cutter Wheel (for plastic)	04190	1
9	Bar Spring	93412	1
10	Body	93192	1
11*	Block Pin	30038	2
12	Large Roller	93420	2
13	Small Roller	93418	2
14	Roller Pin	93437	4
15	Sliding Bar Assembly*	93409	1

*Sliding Bar Assembly consists of #1, #2 & #6

Old style sliding bar



- A 93467 Slide Bar
- B 93431 Wheel Pin Screw

For old style TC3Q body, use block pin #93462