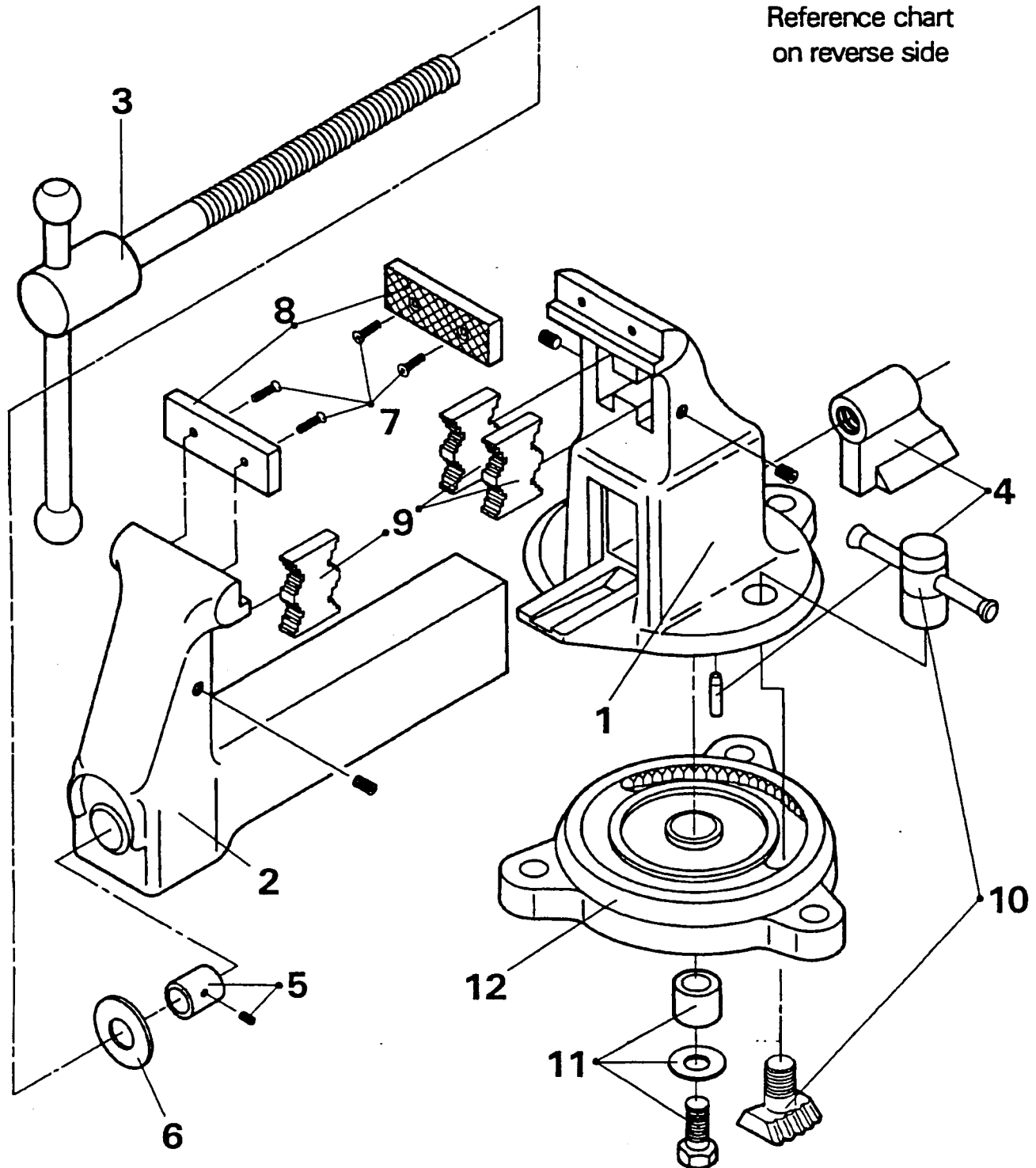




Combination Bench & Pipe Vise (Swivel Base)

Replacement Parts

Reference chart
on reverse side





Combination Bench & Pipe Vise (Swivel Base)

Reference Chart

Ref #	Description	1CA		2CA	
		Item Code	Catalog Number	Item Code	Catalog Number
1	Body	91833	1CAB	91884	2CAB
2	Sliding Bar	91836	1CASB	91837	2CASB
3	Handle & Screw	91823	303 1/2HS	91824	304HS
4	Main Vise Nut & Pin	91846	1CANT	91845	304NT
5	Collar & Set Screw	91809	303 1/2C	91810	304C
6	Thrust Washer	91851	303 1/2TW	91852	304TW
7	Jaw Facing Screws	01365	303JFSCR	01365	303JFSCR
8	Jaw Facings (Includes Screws)	91830	303 1/2JF	91832	304 1/2JF
9	Pipe Jaws	91893	1CAPJ	91894	2CAPJ
10	Clamp Bolt & Nut	91902	303BN	91902	303BN
11	Center Bolt Kit	91864	303CB	91864	303CB
12	Swivel Base Plate	91857	303BP	91859	304BP
Ref #	Description	3CA		4CA	
		Item Code	Catalog Number	Item Code	Catalog Number
1	Body	91885	3CAB	91886	4CAB
2	Sliding Bar	91838	3CASB	91839	4CASB
3	Handle & Screw	91881	3CAHS	91882	4CAHS
4	Main Vise Nut & Pin	91848	306NT	91898	4CANT
5	Collar & Set Screw	91813	306C	91811	4CAC
6	Thrust Washer	91904	306TW	91897	4CATW
7	Jaw Facing Screws	01365	303JFSCR	01365	303JFSCR
8	Jaw Facings (Includes Screws)	91214	3CAJF	91834	306JF
9	Pipe Jaws	91895	3CAPJ	91895	3CAPJ
10	Clamp Bolt & Nut	91860	305BN	91860	305BN
11	Center Bolt Kit	91868	305CB	91870	308CB
12	Swivel Base Plate	91861	305BP	91853	4CABP