

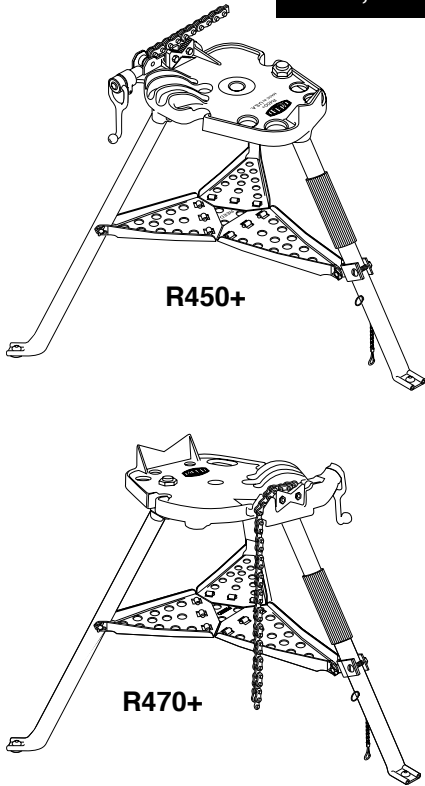


PIPE TOOLS & VISES  
SINCE 1896

# Tripod Pipe Vises: Chain Style (R450+, R450C, R450P, R470+)

Replacement Parts

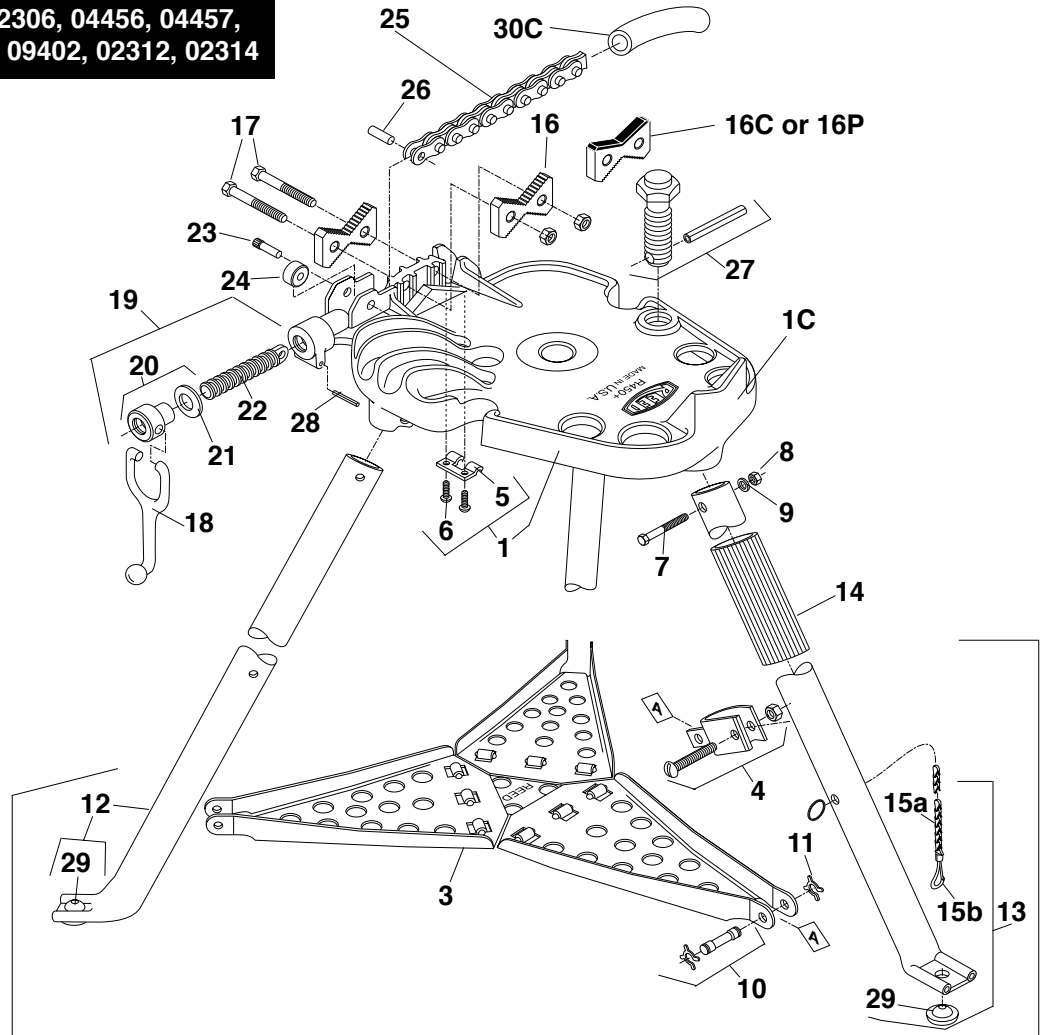
Applies to: 02306, 04456, 04457,  
04458, 04459, 09402, 02312, 02314



Capacity: 1/8" Through 6"

Patented

\*Aluminum legs for R450PAL model are not listed; contact REED for details.



## Parts List

Ref. No.	Description	REED (pack) Item Code	REED Item Code	Replaces Ridgid®	
				Cat No.	Old P/N
1A	R450+ Base with Wear Plate and Screws		99050	41170 / 72097*	—
1B	R470+ Base with Wear Plate and Screws		99403	—	—
1C	R450C Clean Room Base		99051	—	—
2	Leg & Tray Assembly		99052	40915	B-2007-X
3	Tool Tray		99004	41240	C-448
4	Tray Support Clamp w/screw & nut		99054	41235	D-488-X
5	Wear Plate		99022	40955	E-1339
6	Screw for wear plate (2)	5 Pk=99069	39002	40960	E-75-X
7	Leg Bolt (3)	5 Pk=99080	30187	46670	E-868
8	Nut (3)	5 Pk=99071	30032	44225	E-1094
9	Lock Washer (5)	5 Pk=99072	30033	40930	E-1095
10	Tray Pins (3) w/"X" Washers (6)		99053	41265	E-1375-X
11	"X" Washers (6)	5 Pk=99073	99010	41270	E-1377
12	Front Leg Assembly (2)		99057	41255	E-1385-X
13	Rear Leg Assembly		99058	41250	E-1389-X
14	Handle Grip		40183	—	—
15a	Leg Chain Assembly		99055	40945	E-1444-X
15b	Chain Hook		40205	—	—
16	Jaws (2)	Pair=99075	99025	—	—

Ref. No.	Description	REED (pack) Item Code	REED Item Code	Replaces Ridgid®	
				Cat No.	Old P/N
16C	R450C (2)	Pair=99076	99028	NI	NI
16P	R450P (2)	Pair=99077	99023	—	—
17	Jaw Screws & Nuts (2)	5 Pk=99059	99084	NI	NI
18	Handle		92007	NI	NI
19	Handle & Screw Assembly		99060	41050	E-3171-X
20	Handle with Nut & Washer		99061	NI	NI
21	Thrust Washer		99024	NI	NI
22	Chain Screw		99020	NI	NI
23	Roller Pin		92056	NI	NI
24	Roller		92010	40990	E-2488
25	Chain with Pin		99013	41075 / 72092*	—
26	Chain Screw Pin		92122	41040	E-2781
27	Jack Screw Assembly		99064	41230 / 72102*	—
28	Nut Locking Pin		93436	31650	E-4783
29	Grommet (3)		40171	40940	F-532
30C	R450C Chain Cover for clean rooms		99030	—	—

NI - Not Interchangeable with Ridge Tool Co. parts. ® Ridgid is a registered trademark of Ridge Tool Co.  
\*First number is for Ridgid 450, second number for Ridgid 460.

Reed Manufacturing  
1425 West 8th Street  
Erie, PA 16502 USA



Phone: 800-666-3691 or +1-814-452-3691  
reedsales@reedmfgco.com  
www.reedmfgco.com

RP-1221-01  
#50450

# Tripod Pipe Vises: Chain Style

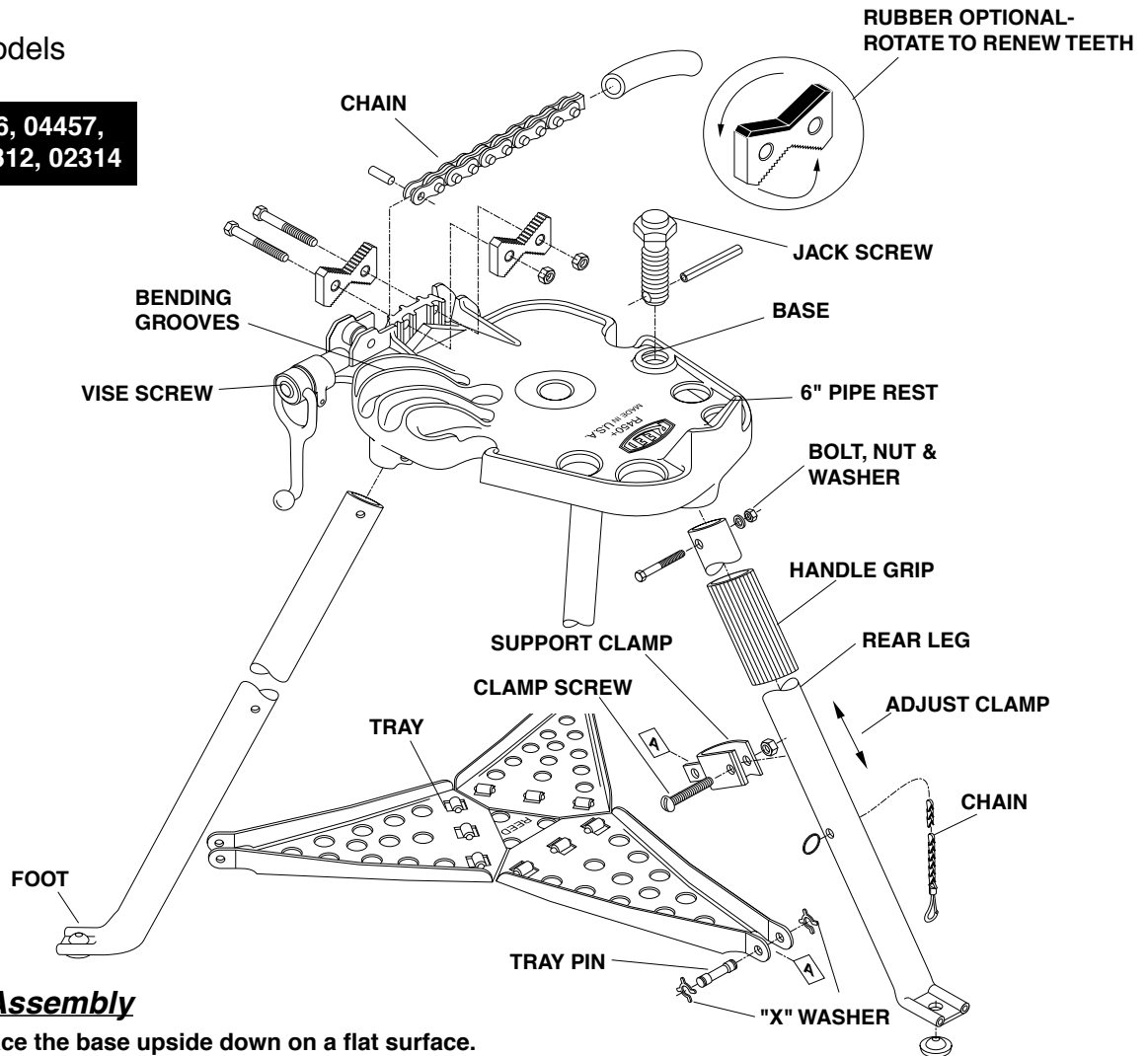
## Operation & Instructions For Assembling Legs & Tray



All R450 and R470 models

Applies to: 02306, 04456, 04457,  
04458, 04459, 09402, 02312, 02314

Patented



### Replacement Parts Assembly

- 1) For easier assembly, place the base upside down on a flat surface.
- 2) Insert rear leg in base with foot pointing outward as shown. Secure to base with bolt, nut, and washer. Tray support is pre-set with a clamp collar for approximate position and is adjustable. (see "Tray Adjustment" note below).
- 3) Insert front legs so feet are pointing outward and secure to base with bolts, washers, and nuts.
- 4) To assemble tray, open tray so that side of flanges are facing bottom of base. Attach the rear leg first with tray pin then proceed to front legs.
- 5) Push "X" washers in pin grooves and pinch long ends together with pliers.
- 6) Stand trisland on legs. If you have a yoke vise tripod, assemble yoke to base. The hook on the yoke can either be on the right or left side depending on operator.

### Operation and Maintenance

**JAWS** — To renew teeth—remove jaw screws and nuts, rotate jaws in either direction, replace jaw screws and nuts and tighten.

**TRAY ADJUSTMENT**— If folding tray does not snap into position and hold legs rigid when tripod is set up, loosen clamp screw in rear leg tray support and slide support clamp upward — tighten clamp screw securely.

**JACK SCREW** — Used with a length of 1" pipe as an adjustable ceiling brace to anchor tripod, but for large heavy pipe, fasten feet of tripod to floor securely.

**BENDERS** — Place pipe, conduit, or tubing into holes provided on base and pull down into grooves.

**HANDLE GRIP** — To install new handle grip over top of rear leg, insert compressed air hose nozzle under bottom edge and pull down while expanding with air flow.

**LUBRICATION** — Periodically lubricate the tray hinge, vise screw, jack screw, and chain with oil or spray silicone.