



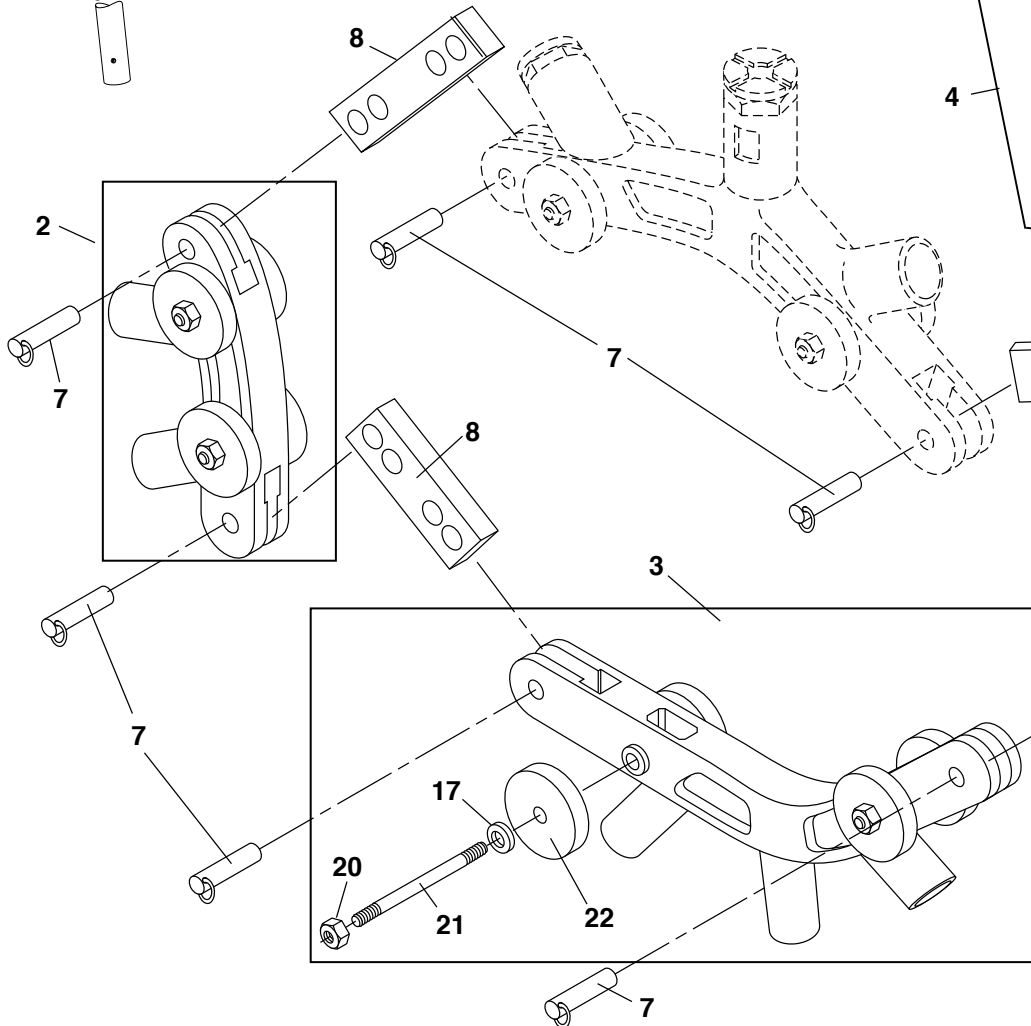
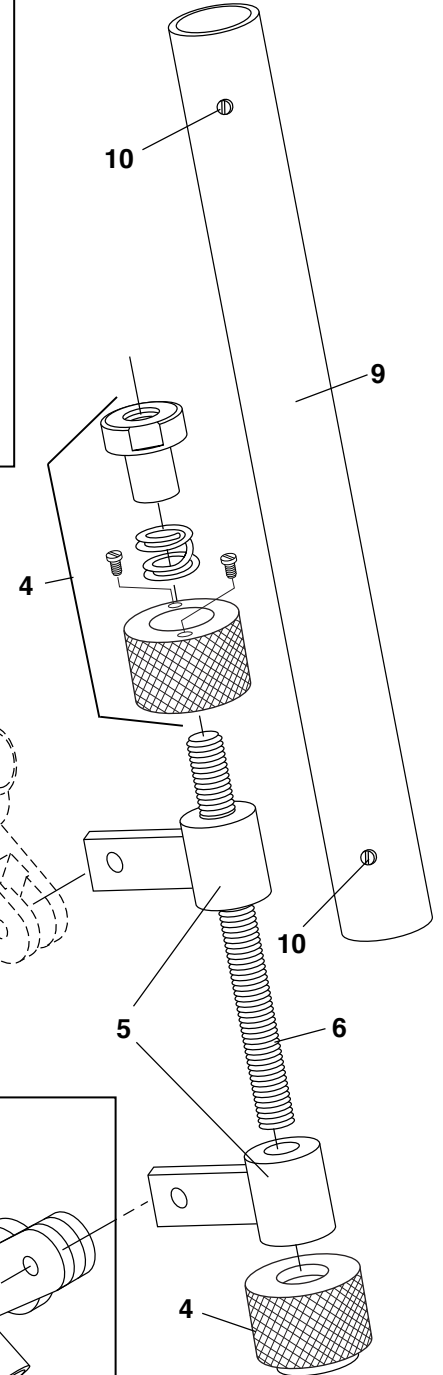
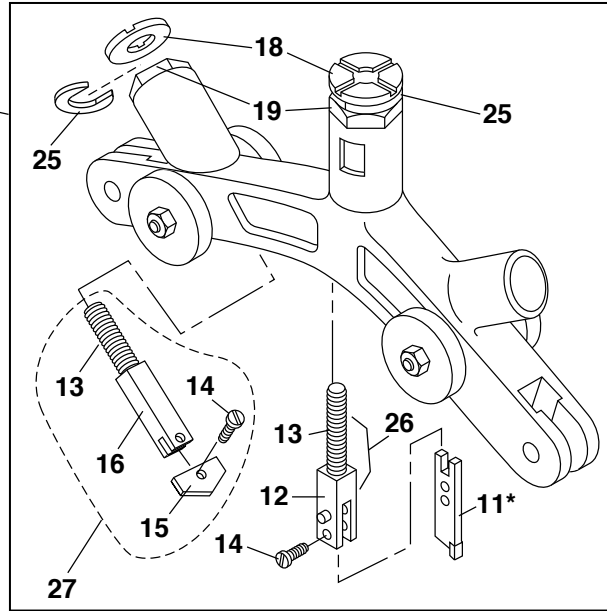
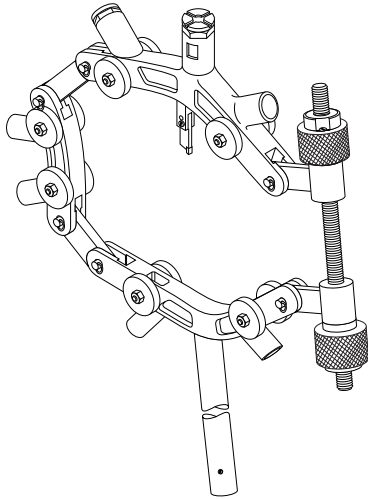
PIPE TOOLS & VISES
SINCE 1896

PLAS In-Line Rotary™ Cutter

Replacement Parts

APPLIES TO: 04470, 04474, 04475,
04477, 04480, 04483, 04485, 04487

PLAS1 shown



Reed Manufacturing
1425 West 8th Street
Erie, PA 16502 USA

QUALITY
& Service
that Last a Lifetime

Phone: 800-666-3691 or +1-814-452-3691
reedsales@reedmfgco.com
www.reedmfgco.com

RP-0326-18



PIPE TOOLS & VISES
SINCE 1896

PLAS Cutter for Large Diameter Pipe

Replacement Parts

Parts List

Ref No.	Description	Item Code	Discontinued	Quantity Used			
			PLAS 0	PLAS 1	PLAS 2	PLAS 3	PLAS 4
1	"A" Section Assembly	04471	1 (04472)	1	0	0	0
2	"B" Section Assembly	04476	0	1	1	1	1
3	"C" Section Assembly	04481	1 (04482)	1	2	3	4
1	"D" Section Assembly	04486	0	0	1	1	1
4	Adjusting Nut	94468	2	2	2	2	2
5	Screw Guide	94085	2	2	2	2	2
6	Main Screw	94088	1	1	1	1	1
7	Quick Pin	94477	4	6	8	10	12
8	Pivot Link	94075	1	2	3	4	5
9	Handle	94475	1	1	1	1	1
10	Handle Screw	30172	2	2	2	2	2
11	PVC Cut-off Blade*	94537	1	1	1	1	1
	PE Cut-off Blade*	94485	1	1	1	1	1
12	Cutoff Blade Holder	94481	1	1	1	1	1
13	Long Threaded Rod	94484	2	2	2	2	2
14	Threaded Pin	93428	2	2	2	2	2
15	Bevel Blade †	94473	1	1	1	1	1
16	Bevel Blade Holder †	94480	0	1	1	1	1
17	Roller Washer	30111	8	12	16	20	24
18	Threaded Bushing	94487	2	2	2	2	2
19	Threaded Liner	94488	2	2	2	2	2
20	Flex Loc Nut	30143	8	12	16	20	24
21	Roller Pin	97536	4	6	8	10	12
22	Roller Assembly	94181	8 (97537)**	12	16	20	24
23	Tool Box	40364	1	0	0	0	0
24	Long Pivot Link	94493	1	0	0	0	0
25	Retainer	94489	-	2	2	2	2
26	Cut-off Blade Holder Assembly***	94466	1	1	1	1	1
27	PLAS Bevel Blade Assembly †	94472	1	1	1	1	1

*Depending on pipe being cut, use PVC or PE cutoff blade.

**AO and CO sections for PLASO feature larger, 4" rollers.

***94466 Assembly contains 30191 Roll Pin, 94481 & 94484

† Included with 04470, 04475, 04480, 0448